

Line laser, green, 520 nm, 90°, 5 mW

LC520-5-24-F(14X60)90DEG
Order Number: 70142815



Picture



Main Parameters (*)	min	typ	max	Unit
Wavelength	515	520	525	nm
Optical Output Power	4	5	10	mW
Operating Voltage	21.6	24	26.4	V DC
Operating Current	20	37	65	mA
Operating Temperature	10		60	°C
Storage Temperature	-40		80	°C

Main Data

Warranty 1 years

Technical Parameters

Lifetime > 5,000 h
RoHS yes

Optical Parameters

Beam Shape Line
Laser Class 1M
Divergence C - 0.4 mrad
Fan Angle 90°
Line Thickness adjustable
Operating Distance 6 m
Optics glass lens AR coated
Laser technology Single Mode Diode
Focus adjustable

Electrical Parameters

Potential of Housing isolated
Stripping of cable cover 50 mm



Mechanical Parameters

Size Ø14x60 mm
Material aluminium
Cable length 3,000 mm
Wire type 18AWG, black, 3,6mm
Output Aperture 3.5 mm
Housing Color black
Weight 16.5 g
Stripping of wire 5 mm

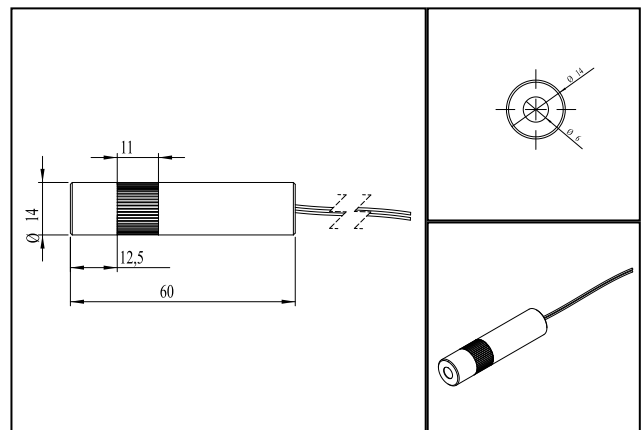
(*) Over the complete operating temperature range

Features

Cable color

Ground  black GND
Positive  white 21.6 - 26.4, typ 24 V DC

Drawing



Safety Label



Valid Revision

| 29-JUN-2026