

Line laser, green, 520 nm, 90°, 20 mW

LC520-20-5-F(16x65)-QCW
Order Number: 70118483

Main Parameters (*)	min	typ	max	Unit
Wavelength	510	520	530	nm
Optical Output Power		20		mW
Operating Voltage	4.7	5	5.3	V DC
Operating Current	120	150	200	mA
Operating Temperature	-10		60	°C
Storage Temperature	-40		80	°C

Main Data

Warranty 1 years

Technical Parameters

Lifetime >6,000 h
RoHS yes

Optical Parameters

Beam Shape	Line
Laser Class	2M
Divergence	C - 0.4 mrad
Fan Angle	90°
Line Thickness	adjustable
Operating Distance	7 m
Optics	glass lens AR coated
Laser technology	Single Mode Diode
Stability	+/- 3% @ -10-50°C
Focus	adjustable
internal modulation frequency	1 kHz

Electrical Parameters

Potential of Housing	isolated
Power Supply	Power Supply with stripped/tinned wires, Output: 5V DC, Input: 100-240V AC, 50-60Hz, Output Power: 3W max.

Mechanical Parameters

Size	Ø16x65 mm
Material	aluminium
Cable length	100 mm
Wire type	Belden, Typ 1007, 26AWG
Output Aperture	5 mm
Housing Color	black
Weight	16 g
Stripping of wire	5 mm

(*) Over the complete operating temperature range

Features



- Operating Voltage 5V DC
- Compact size
- Laser Class 2M
- High Power
- Adjustable focus

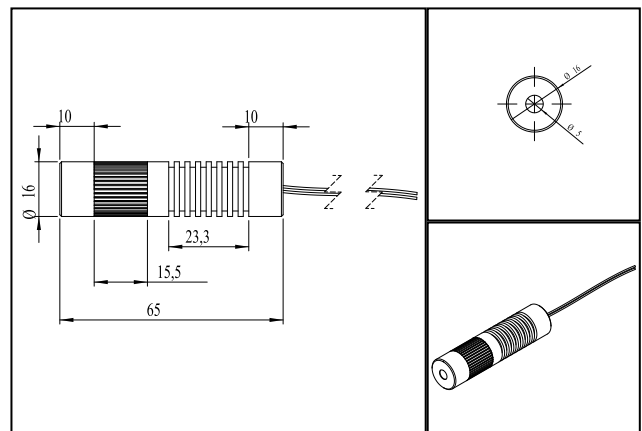
Picture



Cable color

Ground		black	GND
Positive		red	4.7 - 5.3, typ 5 V DC

Drawing



Safety Label



Valid Revision

22 | 06-FEB-2023