

## Line laser, green, 520 nm, 90°, 0.1 mW

LC520-0.1-24-F(16x65)-MV  
Order Number: 70120684

Main Parameters (*)	min	typ	max	Unit
Wavelength	510	520	530	nm
Optical Output Power		0.1		mW
Operating Voltage	12	24	24	V DC
Operating Current	5	20	40	mA
Operating Temperature	-10		60	°C
Storage Temperature	-40		80	°C

### Main Data

Warranty 1 years

### Technical Parameters

Lifetime >6,000 h  
RoHS yes

### Optical Parameters

Beam Shape Line  
Laser Class 1  
Divergence C - 0.4 mrad  
Fan Angle 90°  
Line Thickness adjustable  
Operating Distance 1 m  
Optics glass lens AR coated  
Laser technology Single Mode Diode  
Stability +/- 3% @ -10-50°C  
Focus adjustable

### Electrical Parameters

Potential of Housing isolated

### Mechanical Parameters

Size Ø16x65 mm  
Material aluminium  
Cable length 100 mm  
Wire type 26AWG, 0,14mm<sup>2</sup>  
Output Aperture 5 mm  
Housing Color black  
Weight 16 g  
PCB no

(\*) Over the complete operating temperature range

### Features



- Operating Voltage 24 V DC
- Compact size
- Laser Class 1
- High Power
- Fixed focus

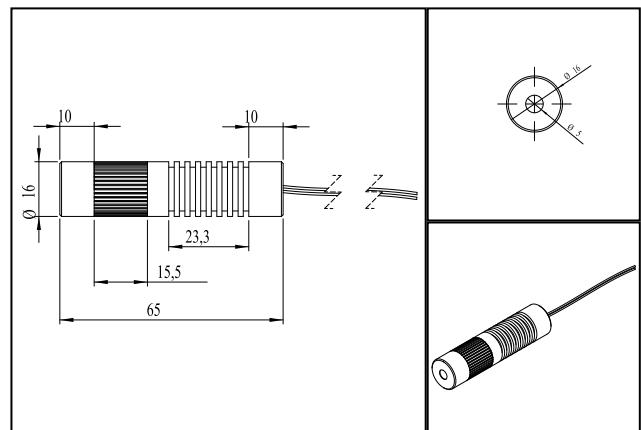
### Picture



### Cable color

Ground		black	GND
Positive		red	12 - 24, typ 24 V DC

### Drawing



### Safety Label



### Valid Revision

| 23-JUL-2020