

Line laser, blue, 450 nm, 90°, 30 mW

LC450-30-24-F(14x60)
Order Number: 70121575

Main Parameters (*)	min	typ	max	Unit
Wavelength	440	450	460	nm
Optical Output Power	25	30	30	mW
Operating Voltage	21.6	24	26.4	V DC
Operating Current	20	37	65	mA
Operating Temperature	10		60	°C
Storage Temperature	-40		80	°C

Main Data

Warranty 1 years

Technical Parameters

Lifetime > 5,000 h
RoHS yes

Optical Parameters

Beam Shape Line
Laser Class 2M
Divergence C - 0.4 mrad
Fan Angle 90°
Line Thickness adjustable
Operating Distance 6 m
Optics glass lens AR coated
Laser technology Single Mode Diode
Focus adjustable

Electrical Parameters

Potential of Housing isolated
Stripping of cable cover 50 mm

Mechanical Parameters

Size Ø14x60 mm
Material aluminium
Cable length 3,000 mm
Wire type 18AWG, black, 3,6mm
Output Aperture 3.5 mm
Housing Color black
Weight 75 g
Stripping of wire 5 mm

(*) Over the complete operating temperature range

Features


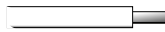


- Adjustable focus
- Operating Voltage 24 V DC
- Adjustable focus
- Small fan angle
- Image processing
- 450nm bright blue

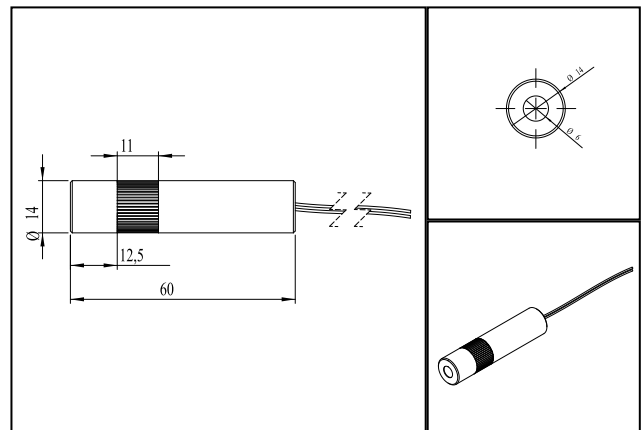
Picture



Cable color

Ground		black	GND
Positive		white	21.6 - 26.4, typ 24 V DC

Drawing



Safety Label



Valid Revision

| 07-MAR-2022