

Line laser, infrared, 850 nm, 10°, 15 mW

LB850-15-5(16x45)10DEG-F300-POT1
Order Number: 70124590

Main Parameters (*)	min	typ	max	Unit
Wavelength		850		nm
Optical Output Power	1	15	15	mW
Operating Voltage	4.5	5	5.5	V DC
Operating Current	20	40	120	mA
Operating Temperature	-20		50	°C
Storage Temperature	-40		80	°C

Main Data

Warranty 1 years

Technical Parameters

Lifetime >5,000 h
RoHS yes

Optical Parameters

Beam Shape	Line
Laser Class	3R
Divergence	B - 0.3 mrad
Fan Angle	10°
Line Thickness	<0.5mm@0.3m
Operating Distance	0.3m
Optics	glass lens AR coated
Laser technology	Single Mode Diode
Protection Lens	no
Focus	fixed (300mm)
Verticality	< ±0.5°

Electrical Parameters

Potential of Housing	isolated
Power Supply	Power Supply with stripped/tinned wires, Output: 5V DC, Input: 100-240V AC, 50-60Hz, Output Power: 3W max.

Mechanical Parameters

Size	Ø16x45 mm
Material	aluminium
Cable length	100 mm
Wire type	Belden, Typ 1007, 26AWG
Output Aperture	6.8 mm
Housing Color	black
Weight	23.5 g
Stripping of wire	5 mm

(*) Over the complete operating temperature range

Features



- Operating Voltage 5V DC
- Laser Class 3R
- Fan angle 10°
- Uniform line thickness
- Fixed focus

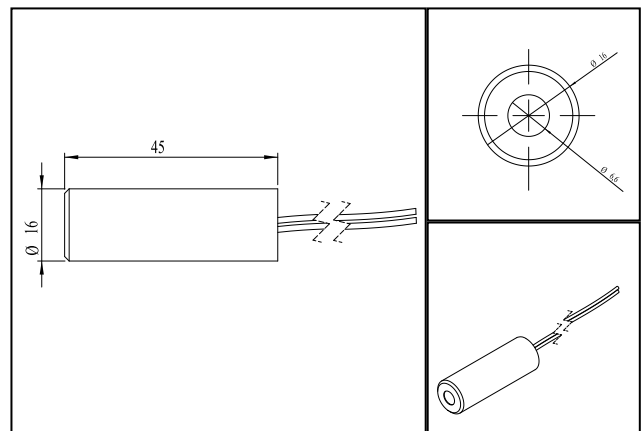
Picture



Cable color

Ground		black	GND
Positive		red	4.5 - 5.5, typ 5 V DC

Drawing



Safety Label



Valid Revision

| 07-FEB-2020