

Line laser, red, 658 nm, 90°, 50 mW

LB658-50-24(40x210)
Order Number: 70115475

Main Parameters (*)	min	typ	max	Unit
Wavelength		658		nm
Optical Output Power		50		mW
Operating Voltage	21.6	24	26.4	V DC
Operating Current	50	100	150	mA
Operating Temperature	-20		50	°C
Storage Temperature	-40		80	°C

Main Data

Warranty 1 years

Technical Parameters

Lifetime > 10,000 h
RoHS yes

Optical Parameters

Beam Shape Line
Laser Class 2M
Divergence B - 0.3 mrad
Fan Angle 90°
Line Thickness <3mm@7m
Operating Distance 25 m
Optics glass lens AR coated
Laser technology diode
Focus fixed (7.0m)

Electrical Parameters

Potential of Housing isolated

Mechanical Parameters

Size Ø40x210 mm
Material aluminium
Cable length 3,000 mm
Wire type 18AWG, black, 3,6mm
Output Aperture 8 mm
Weight 743 g

(*) Over the complete operating temperature range

Features





- Operating Voltage 24 V DC
- Laser Class 2M
- Operating Voltage 24 V DC
- Glas lenses anti reflex coated
- Uniform line thickness

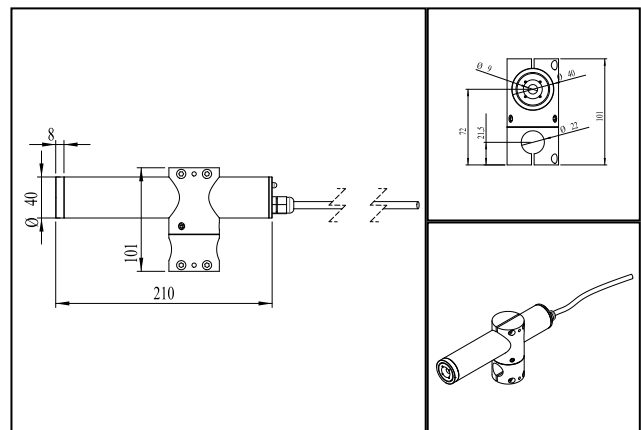
Picture



Cable color

Ground		black	GND
Positive		white	21.6 - 26.4, typ 24 V DC

Drawing



Safety Label



Valid Revision

1 | 05-APR-2022