

## Line laser, red, 658 nm, 90°, 50 mW

LB658-50-230(40x210)  
Order Number: 70110227

Main Parameters (*)	min	typ	max	Unit
Wavelength		658		nm
Optical Output Power		50		mW
Operating Voltage	207	230	253	V AC
Operating Current	5	10	15	mA
Operating Temperature	-20		50	°C
Storage Temperature	-40		80	°C

### Main Data

Warranty 1 years

### Technical Parameters

Lifetime > 10,000 h  
RoHS yes

### Optical Parameters

Beam Shape Line  
Laser Class 2M  
Divergence B - 0.3 mrad  
Fan Angle 90°  
Line Thickness <3mm@7m  
Operating Distance 25 m  
Optics glass lens AR coated  
Laser technology Single Mode Diode  
Focus fixed (7.0m)

### Electrical Parameters

Potential of Housing isolated  
Connector AC CEE 7/7

### Mechanical Parameters

Size Ø40x210 mm  
Material aluminium  
Cable length 1,750 mm  
Wire type H05VV-F  
Output Aperture 8 mm  
Weight 920 g

(\*) Over the complete operating temperature range

### Features



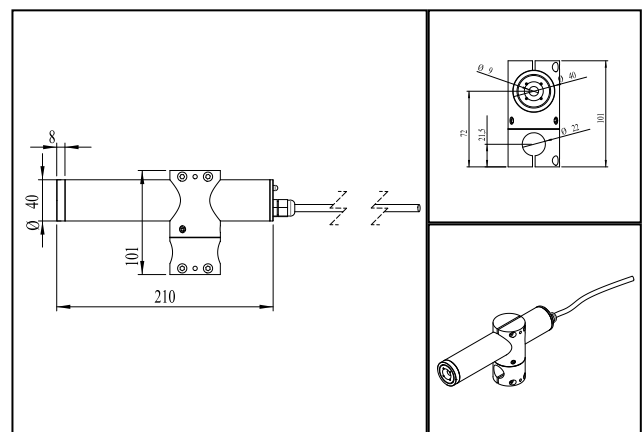
- Operating Voltage 230V AC
- Laser Class 2M
- High Power
- Glas lenses anti reflex coated
- Uniform line thickness

### Picture

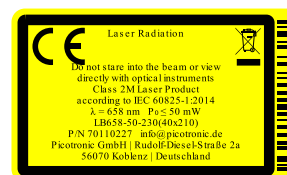


Montageplatte optional  
Base Plate not included

### Drawing



### Safety Label



### Valid Revision

1 | 19-JAN-2024