

Line laser, red, 658 nm, 90°, 30 mW

LB658-30-230(40x210)
Order Number: 70123357

Main Parameters (*)	min	typ	max	Unit
Wavelength		658		nm
Optical Output Power		30		mW
Operating Voltage	207	230	253	V AC
Operating Current	5	10	15	mA
Operating Temperature	-20		50	°C
Storage Temperature	-40		80	°C

Main Data

Warranty 1 years

Technical Parameters

Lifetime > 10,000 h
RoHS yes

Optical Parameters

Beam Shape Line
Laser Class 2M
Divergence B - 0.3 mrad
Fan Angle 90°
Line Thickness <3mm@7m
Operating Distance 20 m
Optics glass lens AR coated
Laser technology Single Mode Diode
Focus fixed (7.0m)

Electrical Parameters

Potential of Housing isolated
Connector AC CEE 7/7

Mechanical Parameters

Size Ø40x210 mm
Material aluminium
Cable length 1,750 mm
Wire type H05VV-F
Output Aperture 8 mm
Weight 920 g

(*) Over the complete operating temperature range

Features



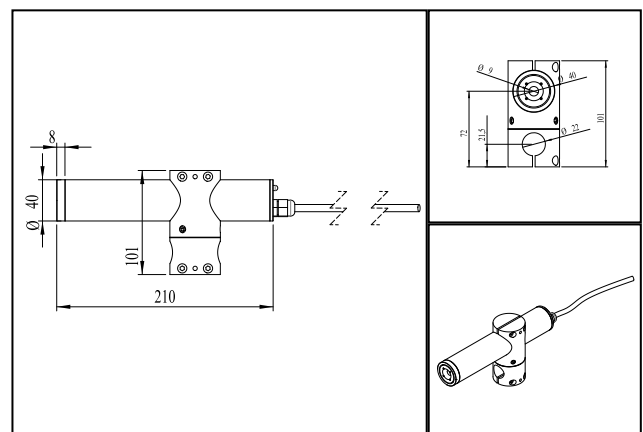
- Operating Voltage 230V AC
- Laser Class 2M
- High Power
- Glas lenses anti reflex coated
- Uniform line thickness

Picture

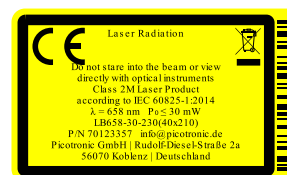


Montageplatte optional
Base Plate not included

Drawing



Safety Label



Valid Revision

| 14-NOV-2023