

Line laser, red, 650 nm, 90°, 15 mW

LB650-15-230(40x210)-F3000
Order Number: 70113181

Main Parameters (*)	min	typ	max	Unit
Wavelength		650		nm
Optical Output Power		15		mW
Operating Voltage	207	230	253	V AC
Operating Current	5	10	15	mA
Operating Temperature	-20		50	°C
Storage Temperature	-40		80	°C

Main Data

Warranty 1 years

Technical Parameters

Lifetime > 10,000 h
RoHS yes

Optical Parameters

Beam Shape Line
Laser Class 2
Divergence B - 0.3 mrad
Fan Angle 90°
Line Thickness <1.5mm@3m
Operating Distance 3 m
Optics glass lens AR coated
Laser technology Single Mode Diode
Focus fixed (3000mm)

Electrical Parameters

Potential of Housing isolated
Connector AC CEE 7/7

Mechanical Parameters

Size Ø40x210 mm
Material aluminium
Cable length 1,750 mm
Wire type H05VV-F
Output Aperture 8 mm
Weight 920 g

(*) Over the complete operating temperature range

Features



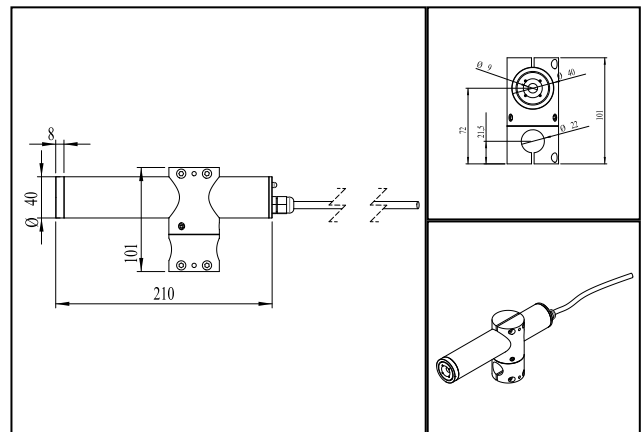
- Operating Voltage 230V AC
- Laser Class 2
- Fixed focus
- Glas lenses anti reflex coated
- Uniform line thickness

Picture



Montageplatte optional
Base Plate not included

Drawing



Safety Label



Valid Revision

1 | 05-APR-2022