

Line laser, red, 650 nm, 90°, 1 mW

LB650-1-3(16x45)
Order Number: 70103717

| Main Parameters (*) | min | typ | max | Unit |
|-----------------------|-----|-----|-----|------|
| Wavelength | | 650 | | nm |
| Optical Output Power | | 1 | | mW |
| Operating Voltage | 2.7 | 3 | 3.3 | V DC |
| Operating Current | 15 | 25 | 40 | mA |
| Operating Temperature | -20 | | 50 | °C |
| Storage Temperature | -40 | | 80 | °C |

Main Data

Warranty 1 years

Technical Parameters

Lifetime > 5,000 h
RoHS yes

Optical Parameters

Beam Shape Line
Laser Class 1
Divergence B - 0.3 mrad
Fan Angle 90°
Line Thickness < 2mm@2m
Operating Distance 2 m
Optics glass lens AR coated
Laser technology diode
Focus fixed (2000mm)

Electrical Parameters

Potential of Housing isolated
Power Supply Power Supply with stripped/tinned wires, Output: 3.3V DC, Input: 100-240V AC, 50-60Hz, Output Power: 3.3W max.

Mechanical Parameters

Size Ø16x45 mm
Material aluminium
Cable length 100 mm
Wire type 26AWG, 0,14mm²
Output Aperture 6.8 mm
Housing Color black
Weight 23.5 g

(*) Over the complete operating temperature range

Features



- Fan angle 90°
- Laser Class 1
- Operating Voltage 3 V DC
- Low power consumption
- Fixed focus

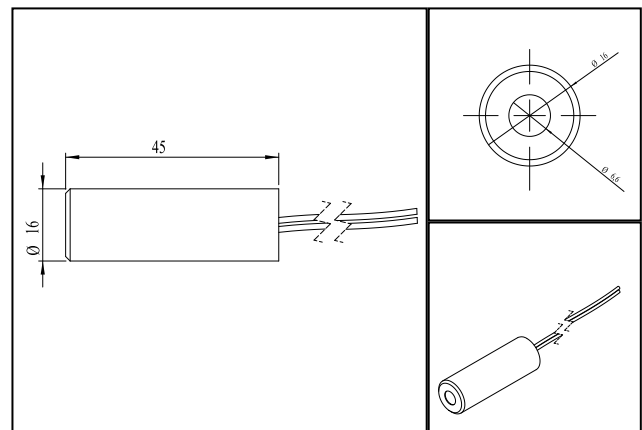
Picture



Cable color

| | | | |
|----------|--|-------|-----------------------|
| Ground |  | black | GND |
| Positive |  | red | 2.7 - 3.3, typ 3 V DC |

Drawing



Safety Label



Valid Revision

6 | 21-FEB-2019