

Dot laser, infrared, 830 nm, 0.4 mW

IMD830-0.4-5(14x30)-10kHz
Order Number: 70120202

Main Parameters (*)	min	typ	max	Unit
Wavelength		830		nm
Optical Output Power		0.4		mW
Operating Voltage	4.5	5	5.5	V DC
Operating Current	7	15	30	mA
Operating Temperature	-20		50	°C
Storage Temperature	-40		80	°C

Main Data

Warranty 1 years

Technical Parameters

Lifetime > 5,000 h
RoHS yes

Optical Parameters

Beam Shape Dot
Laser Class 1
Divergence D - 0.5 mrad
Beam Diameter 3 mm
Operating Distance 10 m
Optics glass lens AR coated
Laser technology Single Mode Diode
Focus collimated

Electrical Parameters

Potential of Housing isolated
Power Supply Power Supply with stripped/tinned wires, Output: 5V DC, Input: 100-240V AC, 50-60Hz, Output Power: 3W max.

Mechanical Parameters

Size Ø14x30 mm
Material aluminium
Cable length 100 mm
Wire type Belden, Typ 1007, 26AWG
Output Aperture 3 mm
Housing Color black
Weight 18 g
Stripping of wire 5 mm

(*) Over the complete operating temperature range

Features




- Fixed focus
- Low power consumption
- Compact size
- Modulated 10kHz
- Glas lenses anti reflex coated
- Blinking with 10kHz

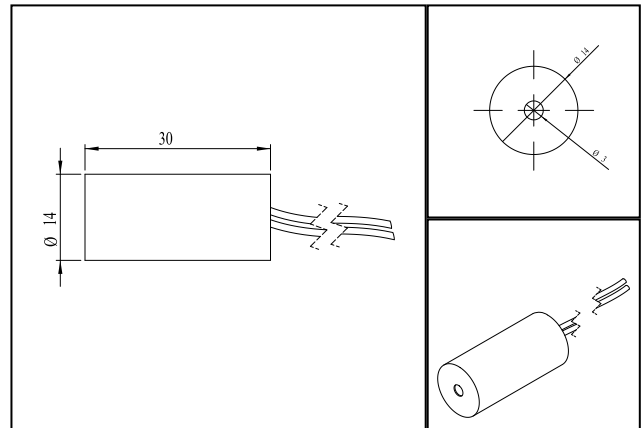
Picture



Cable color

Ground		black	GND
Positive		red	4.5 - 5.5, typ 5 V DC

Drawing



Safety Label



Valid Revision

| 10-FEB-2014