

## Expander Laser, red, 670 nm, 2 mW

E670-2-3-20(24x96)  
Order Number: 70102468

| Main Parameters (*)   | min | typ | max | Unit |
|-----------------------|-----|-----|-----|------|
| Wavelength            |     | 670 |     | nm   |
| Optical Output Power  |     | 2   |     | mW   |
| Operating Voltage     | 2.7 | 3   | 3.3 | V DC |
| Operating Current     | 20  | 35  | 55  | mA   |
| Operating Temperature | -20 |     | 50  | °C   |
| Storage Temperature   | -40 |     | 80  | °C   |

### Stammdaten

Warranty 1 Jahre

### Technical Parameters

Lifetime >5000 h  
RoHS yes

### Optical Parameters

|                    |                      |
|--------------------|----------------------|
| Beam Shape         | expander             |
| Laser Class        | 3R                   |
| Operating Distance | 20 m                 |
| Optics             | glass lens AR coated |
| Laser technology   | diode                |
| Focus              | adjustable           |

### Electrical Parameters

Potential of Housing isolated  
Power Supply LFNT-3

### Mechanical Parameters

|                 |                            |
|-----------------|----------------------------|
| Size            | Ø24x96 mm                  |
| Material        | aluminium                  |
| Cable length    | 100 mm                     |
| Wire type       | 26AWG, 0,14mm <sup>2</sup> |
| Output Aperture | 20 mm                      |
| Weight          | 75 g                       |

(\*) Over the complete operating temperature range

## Features



- Operating Voltage 3 V DC
- Laser Class 3R
- Image processing
- Adjustable focus
- Glass lenses anti reflex coated

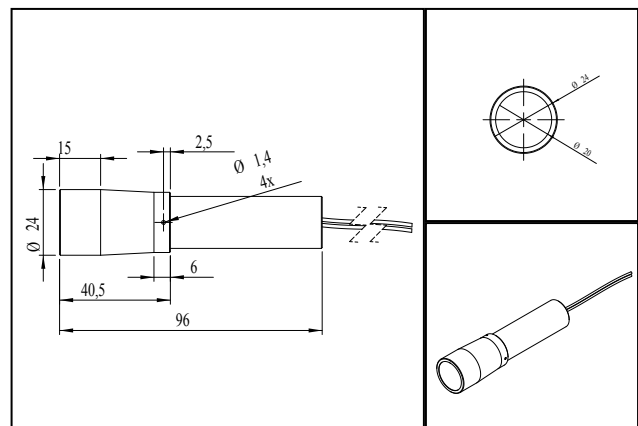
## Picture



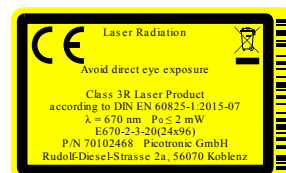
## Cable color

|          |  |       |                       |
|----------|--|-------|-----------------------|
| Ground   |  | black | GND                   |
| positive |  | red   | 2.7 - 3.3, typ 3 V DC |

## Drawing



## safety label



## Valid Revision

REV 2 | 03-NOV-2010