

Expander Laser, red, 658 nm, 20 mW

E658-20-3(20x120)APT15
Order Number: 70116793

| Main Parameters (*) | min | typ | max | Unit |
|-----------------------|-----|-----|-----|------|
| Wavelength | | 658 | | nm |
| Optical Output Power | | 20 | | mW |
| Operating Voltage | 2.7 | 3 | 3.3 | V DC |
| Operating Current | 100 | 120 | 130 | mA |
| Operating Temperature | -20 | | 50 | °C |
| Storage Temperature | -40 | | 80 | °C |

Main Data

Warranty 1 years

Technical Parameters

Lifetime > 10,000 h
RoHS yes

Optical Parameters

Beam Shape expander
Laser Class 3B
Divergence B - 0.3 mrad
Beam Diameter 15 mm
Size of Laserdot <17mm@10m
Operating Distance 80 m
Optics glass lens AR coated
Laser technology Single Mode Diode
Focus fixed (10.0m)

Electrical Parameters

Potential of Housing isolated
Power Supply Power Supply with stripped/tinned wires, Output: 3.3V DC, Input: 100-240V AC, 50-60Hz, Output Power: 3.3W max.

Mechanical Parameters

Size Ø20x120 mm
Material aluminium
Cable length 100 mm
Wire type 26AWG, 0,14mm²
Output Aperture 15 mm
Housing Color black
Weight 84 g
Stripping of wire 5 mm

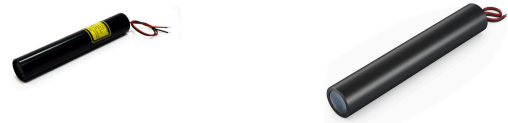
(*) Over the complete operating temperature range

Features



- Operating Voltage 3V DC
- Laser Class 3B
- Glas lenses anti reflex coated
- Uniform illumination
- Small laser head

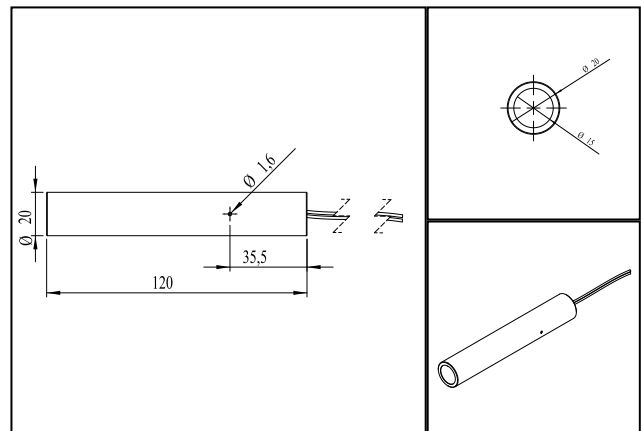
Picture



Cable color

| | | | |
|----------|--|-------|-----------------------|
| Ground |  | black | GND |
| Positive |  | red | 2.7 - 3.3, typ 3 V DC |

Drawing



Safety Label



Valid Revision

0 | 25-MAY-2020