

Expander Laser, red, 650 nm, 2 mW

E650-2-3-8(16x60)
Order Number: 70102451

Main Parameters (*)	min	typ	max	Unit
Wavelength		650		nm
Optical Output Power		2		mW
Operating Voltage		3		V DC
Operating Current		50		mA
Operating Temperature	-20		50	°C
Storage Temperature	-40		80	°C

Stammdaten

Warranty 1 Jahre

Technical Parameters

Lifetime >5000 h
RoHS yes

Optical Parameters

Beam Shape expander
Laser Class 1
Operating Distance 10 m
Optics glass lens AR coated
Laser technology diode

Mechanical Parameters

Size Ø16x60 mm
Material aluminium
Cable length 100 mm
Output Aperture 8 mm
Weight 43 g

(*) Over the complete operating temperature range

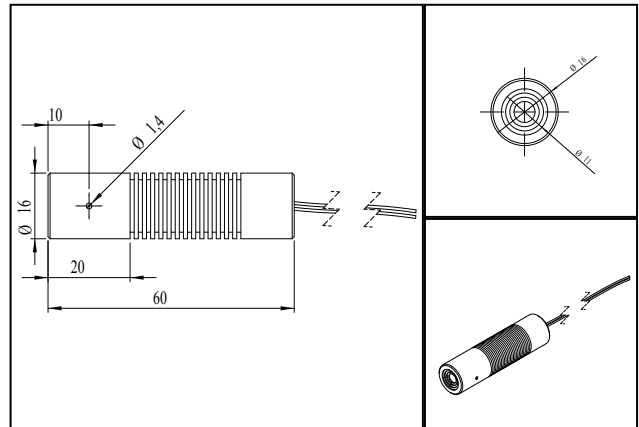
Features



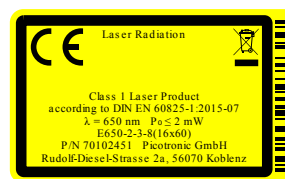
Picture



Drawing



safety label



Valid Revision

REV 0 | 07-FEB-2019