

Expander Laser, red, 635 nm, 2 mW

E635-2-3(20x120)APT15
Order Number: 70106589

Main Parameters (*)	min	typ	max	Unit
Wavelength		635		nm
Optical Output Power		2		mW
Operating Voltage	2.7	3	3.3	V DC
Operating Current	25	50	75	mA
Operating Temperature	-20		50	°C
Storage Temperature	-40		80	°C

Main Data

Warranty 1 years

Technical Parameters

Lifetime > 5,000 h
RoHS yes

Optical Parameters

Beam Shape expander
Laser Class 2M
Divergence B - 0.3 mrad
Beam Diameter 15 mm
Size of Laserdot <17mm@10m
Operating Distance 150 m
Optics glass lens AR coated
Laser technology Single Mode Diode
Focus fixed (10.0m)

Electrical Parameters

Potential of Housing isolated
Power Supply with stripped/tinned wires, Output: 3.3V DC, Input: 100-240V AC, 50-60Hz, Output Power: 3.3W max.

Mechanical Parameters

Size Ø20x120 mm
Material aluminium
Cable length 100 mm
Wire type 26AWG, 0,14mm²
Output Aperture 15 mm
Weight 84 g

(*) Over the complete operating temperature range

Features



- Operating Voltage 3V DC
- Laser Class 2M
- Glas lenses anti reflex coated
- Uniform illumination
- Small laser head

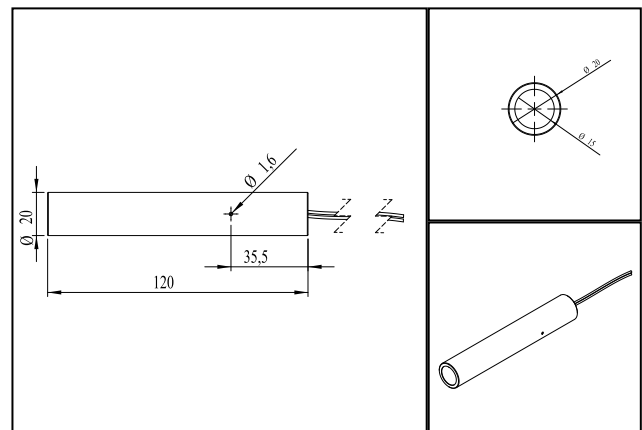
Picture



Cable color

Ground		black	GND
Positive		red	2.7 - 3.3, typ 3 V DC

Drawing



Safety Label



Valid Revision

0 | 20-JUL-2020