

Expander Laser, green, 532 nm, 1 mW

E532-1-3-20(24x120)-C300-C
Order Number: 70114348

| Main Parameters (*) | min | typ | max | Unit |
|-----------------------|-----|-----|-----|------|
| Wavelength | | 532 | | nm |
| Optical Output Power | | 1 | | mW |
| Operating Voltage | 2.7 | 3 | 3.3 | V DC |
| Operating Current | 150 | 300 | 450 | mA |
| Operating Temperature | 15 | | 30 | °C |
| Storage Temperature | -40 | | 80 | °C |

Stammdaten

Warranty 1 Jahre

Technical Parameters

Lifetime >5000 h
RoHS yes

Optical Parameters

| | |
|--------------------|----------------------|
| Beam Shape | expander |
| Laser Class | 2 |
| Operating Distance | 200 m |
| Optics | glass lens AR coated |
| Beam Mode | TEM00 |
| Laser technology | YVO4+KTP |
| Stability | +/- 20% @ 15-30°C |
| Focus | adjustable |
| Warm up time | <15 min |

Electrical Parameters

Potential of Housing isolated
Connector 2.5 mm DC plug (GND pole inner)

Mechanical Parameters

| | |
|-----------------|---------------------|
| Size | Ø24x120 mm |
| Material | aluminium |
| Cable length | 300 mm |
| Wire type | 22AWG, black, 3,6mm |
| Output Aperture | 20 mm |
| Weight | 87 g |

(*) Over the complete operating temperature range

Features

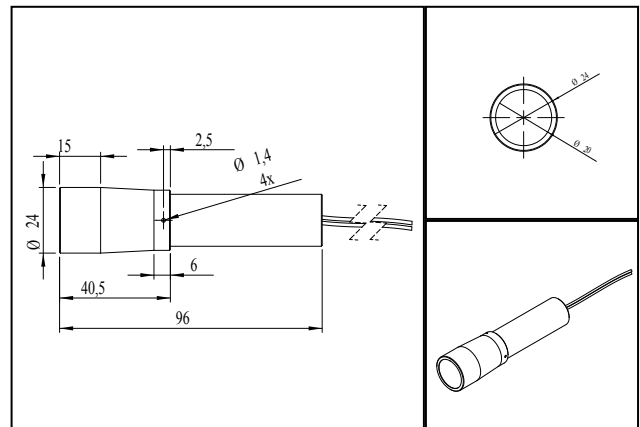


- Operating Voltage 3 V DC
- Glass lenses anti reflex coated
- Laser Class 2
- Adjustable focus
- Uniform illumination

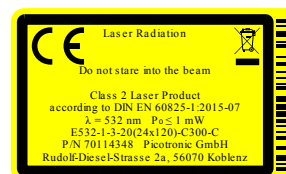
Picture



Drawing



safety label



Valid Revision

REV 1 | 21-AUG-2018