

Expander Laser, green, 520 nm, 12 mW

E520-12-5-20(24x96)
Order Number: 70125597

Main Parameters (*)	min	typ	max	Unit
Wavelength		520		nm
Optical Output Power		12		mW
Operating Voltage	4.5	5	5.5	V DC
Operating Current	90	160	210	mA
Operating Temperature	-10		60	°C
Storage Temperature	-40		80	°C

Main Data

Warranty 1 years

Technical Parameters

Lifetime > 5,000 h
RoHS yes

Optical Parameters

Beam Shape	expander
Laser Class	3R
Divergence	E - 0.6 mrad
Beam Diameter	20 mm
Size of Laserdot	22mm@10m
Operating Distance	150 m
Optics	glass lens AR coated
Laser technology	Single Mode Diode
Stability	+/- 3% @ -10-50°C
Focus	fixed (10.0m)

Mechanical Parameters

Size	Ø24x96 mm
Material	aluminium
Cable length	100 mm
Wire type	Belden, Typ 1007, 26AWG
Output Aperture	20 mm
Housing Color	black
Weight	50 g
Stripping of wire	5 mm

(*) Over the complete operating temperature range

Features



- Machine Vision
- Particle measurement

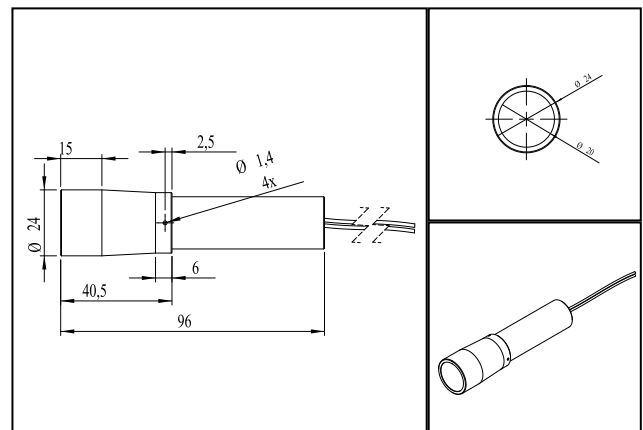
Picture



Cable color

Ground		red	GND
Positive		black	4.5 - 5.5, typ 5 V DC

Drawing



Safety Label



Valid Revision

| 06-AUG-2018