

Doe laser, red, 635 nm, 18 °, 1 mW

(*) Over the complete operating temperature range

DOE284-635-1-6(10x22)
Order Number: 70119114

Main Parameters (*)	min	typ	max	Unit
Wavelength		635		nm
Optical Diode Power		1		mW
Operating Voltage	3	5	6	V DC
Operating Current	20	30	45	mA
Operating Temperature	-20		50	°C
Storage Temperature	-40		80	°C

Main Data

Warranty 1 Jahre

Technical Parameters

Lifetime > 3,000 h
RoHS yes

Optical Parameters

Beam Shape DOE
Laser Class 2M
Divergence H - 1.0 mrad
Fan Angle 18 °
Line Thickness <1.5mm@0.5m
Operating Distance 0.5 m
Optics acryl lense
Laser technology diode
Protection Lens yes
Focus fixed (500mm)

Electrical Parameters

Potential of Housing VDD(+)

Mechanical Parameters

Size Ø10x22 mm
Material Brass
Cable length 100 mm
Wire type 26AWG, 0,14mm²
Output Aperture 6 mm
Weight 8.5 g

DOE

Alpha 63 °
Beta 53 °
Gamma 1.3 °
Delta 41 °
a 123 mm
b 99 mm
c 2.5 mm
d 75 mm
Diameter (without holder) 8 mm
Width (without Holder) 1.2 mm
Material PC

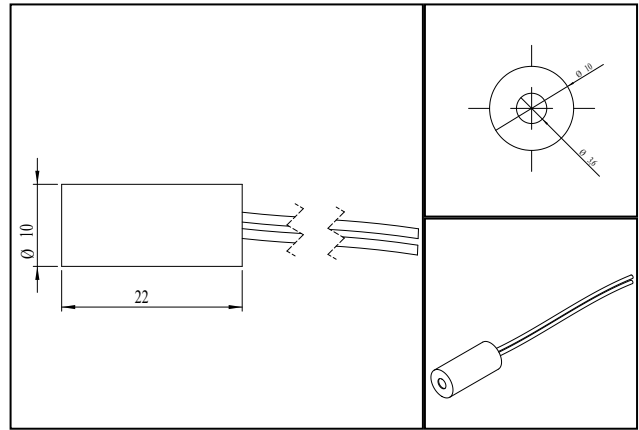
Features



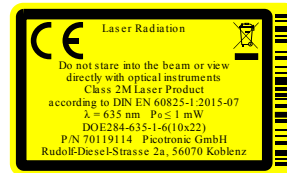
Picture



Drawing



Safety Label



Cable color

Ground		black	GND
positive		red	3 - 6, typ 5 V DC

Valid Revision