

Doe laser, green, 532 nm, 1 mW

DOE268-532-1-3(16x62)-CON
Order Number: 70132618

Main Parameters (*)	min	typ	max	Unit
Wavelength		532		nm
Optical Output Power		1		mW
Operating Voltage	2.7	3	3.3	V DC
Operating Current	125	250	375	mA
Operating Temperature	15		30	°C
Storage Temperature	-40		80	°C

Main Data

Warranty 1 years

Technical Parameters

Lifetime > 5,000 h

RoHS yes

Optical Parameters

Beam Shape DOE

Laser Class 1M

Divergence D - 0.5 mrad

Operating Distance 50 m

Optics glass lens AR coated

Laser technology Solid State (YVO4+KTP)

Stability +/- 10% @ 15-30°C

Focus adjustable

Warm up time < 15 min

Electrical Parameters

Potential of Housing isolated

Connector 2.5 mm DC socket (GND pole inner)

Power Supply Power Supply, Output: 3.3V DC, Input: 100-240V AC, 50-60Hz, Output Power: 3.3W max, Connector 2,5x5,5x9,5mm center negative

Mechanical Parameters

Size Ø16x62 mm

Material aluminium

Cable length 200 mm

Wire type 18AWG, black, 3,6mm

Output Aperture 5mm

Housing Color black

Weight 37g

(*) Over the complete operating temperature range

Features

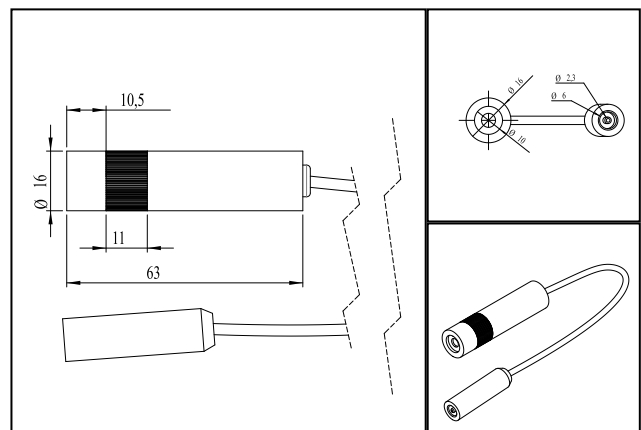


- Adjustable focus
- DOE optic can be changed
- Compact size
- Glas lenses anti reflex coated
- Operating Voltage 3V DC

Picture



Drawing



Safety Label



Valid Revision

| 16-JUL-2019