

Doe laser, red, 635 nm, 5°, 5 mW

DOE266-DD635-5-24(16x65)
Order Number: 70144680

Main Parameters (*)	min	typ	max	Unit
Wavelength		635		nm
Optical Output Power		5		mW
Operating Voltage	23.5	24	24.5	V DC
Operating Current	5	12	30	mA
Operating Temperature	-20		50	°C
Storage Temperature	-40		80	°C

Main Data

Warranty 1 years

Technical Parameters

Lifetime > 10,000 h
RoHS yes

Optical Parameters

Beam Shape DOE
Laser Class 2M
Divergence D - 0.5 mrad
Fan Angle 5°
Operating Distance 10 m
Optics glass lens AR coated
Laser technology Single Mode Diode
Stability +/- 3% @ -10-50°C
Focus adjustable

Electrical Parameters

Potential of Housing isolated
Stripping of cable cover 50 mm

Mechanical Parameters

Size Ø16x65 mm
Material aluminium
Cable length 300 mm
Wire type 18AWG, black, 3,6mm
Output Aperture 5 mm
Housing Color black
Weight 30 g
Stripping of wire 5 mm

(*) Over the complete operating temperature range

Features





- Adjustable focus
- DOE optic can be changed
- Compact size
- Glas lenses anti reflex coated
- Operating Voltage 24 V DC

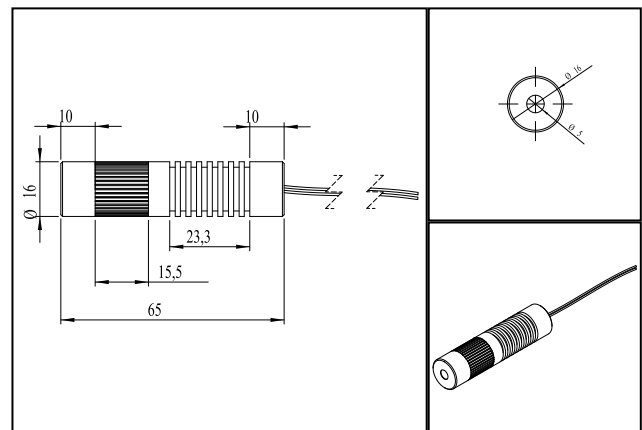
Picture



Cable color

Ground		black	GND
Positive		white	23.5 - 24.5, typ 24 V DC

Drawing



Safety Label



Valid Revision

| 22-JAN-2020