

DOE laser, red, 635 nm, 5 mW

DOE254-635-5-24(16x62)-NT
Order Number: 70142594

Main Parameters (*)	min	typ	max	Unit
Wavelength		635		nm
Optical Output Power		5		mW
Operating Voltage	23.5	24	24.5	V DC
Operating Current	5	12	30	mA
Operating Temperature	-20		50	°C
Storage Temperature	-40		80	°C

Stammdaten

Warranty 1 Jahre

Technical Parameters

Lifetime >10000 h
RoHS yes

Optical Parameters

Beam Shape	DOE
Laser Class	2M
Divergence	D - 0.5 mrad
Operating Distance	2 m
Optics	glass lens AR coated
Laser technology	Single Mode Diode
Stability	+/- 3% @ -10-50°C
Focus	adjustable

Electrical Parameters

Potential of Housing isolated
Power Supply LFNT-24-C

Mechanical Parameters

Size	Ø16x62 mm
Material	aluminium
Cable length	300 mm
Wire type	18AWG, black, 3,6mm
Output Aperture	5 mm
Housing Color	black
Weight	30 g

(*) Over the complete operating temperature range

Features





- Adjustable focus
- DOE optic can be changed
- Compact size
- Glas lenses anti reflex coated
- Operating Voltage 24 V DC

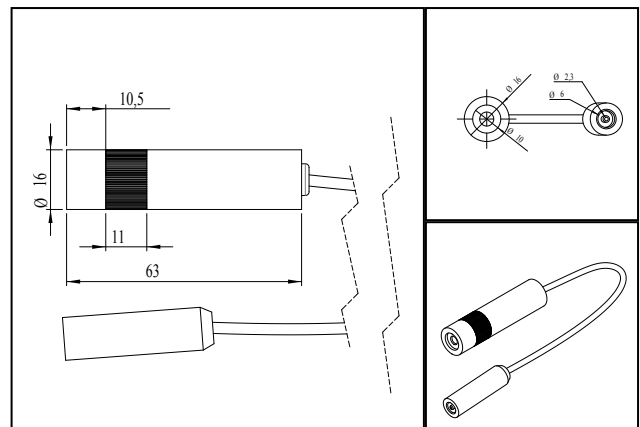
Picture



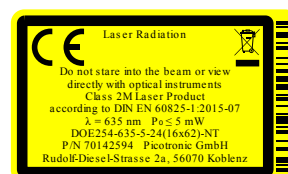
Cable color

Ground		black	GND
positive		white	23.5 - 24.5, typ 24 V DC

Drawing



safety label



Valid Revision

| 09-DEC-2019