

## DOE laser, red, 635 nm, 5 mW

DOE244-635-5-6(10x22)  
Order Number: 70112177

Main Parameters (*)	min	typ	max	Unit
Wavelength		635		nm
Optical Diode Power		5		mW
Operating Voltage	3	5	6	V DC
Operating Current	25	45	65	mA
Operating Temperature	-20		50	°C
Storage Temperature	-40		80	°C

### Main Data

Warranty 1 years

### Technical Parameters

Lifetime >3,000 h  
RoHS yes

### Optical Parameters

Beam Shape	DOE
Laser Class	2M
Divergence	H - 1.0 mrad
Optics	acryl lense
Laser technology	diode
Protection Lens	yes
Focus	fixed

### Electrical Parameters

Potential of Housing VDD(+)

### Mechanical Parameters

Size	Ø10x22 mm
Material	Brass
Cable length	100 mm
Wire type	26AWG, 0,14mm <sup>2</sup>
Output Aperture	6 mm
Weight	8.5 g

### DOE

Alpha	5.3°
Beta	3.7°
Gamma	0.31°
Delta	3.7°
a	9.3 mm
b	6.5 mm
c	0.54 mm
d	6.5 mm
Diameter (without holder)	8 mm
Width (without Holder)	1.2 mm

Material PC

(\*) Over the complete operating temperature range

### Features



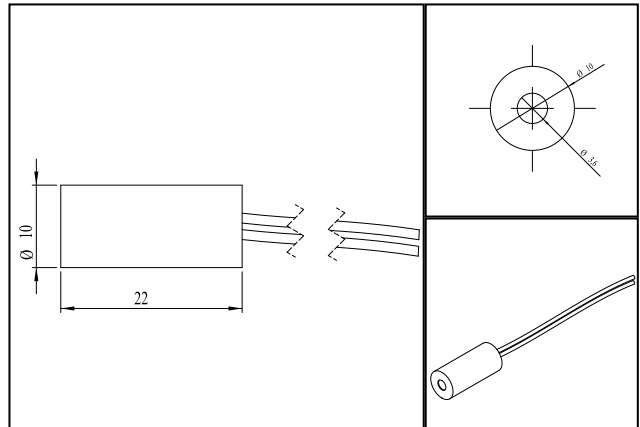
### Picture



### Cable color

Ground		black	GND
Positive		red	3 - 6, typ 5 V DC

### Drawing



### Safety Label



### Valid Revision

0