

Doe laser, red, 635 nm, 5 mW

DOE242-635-5-6(10x22)
Order Number: 70112153

Main Parameters (*)	min	typ	max	Unit
Wavelength		635		nm
Optical Diode Power		5		mW
Operating Voltage	3	5	6	V DC
Operating Current	25	45	65	mA
Operating Temperature	-20		50	°C
Storage Temperature	-40		80	°C

Main Data

Warranty 1 years

Technical Parameters

Lifetime >3,000 h
RoHS yes

Optical Parameters

Beam Shape	DOE
Laser Class	2M
Divergence	H - 1.0 mrad
Optics	acryl lense
Laser technology	diode
Protection Lens	yes
Focus	fixed

Electrical Parameters

Potential of Housing VDD(+)

Mechanical Parameters

Size	Ø10x22 mm
Material	Brass
Cable length	100 mm
Wire type	26AWG, 0,14mm ²
Output Aperture	6 mm
Weight	8.5 g

DOE

Alpha	7.1°
Beta	5°
Gamma	0.34°
Delta	5°
a	12.4 mm
b	8.8 mm
c	0.59 mm
d	8.8 mm
Diameter (without holder)	8 mm
Width (without Holder)	1.2 mm

Material PC

(*) Over the complete operating temperature range

Features



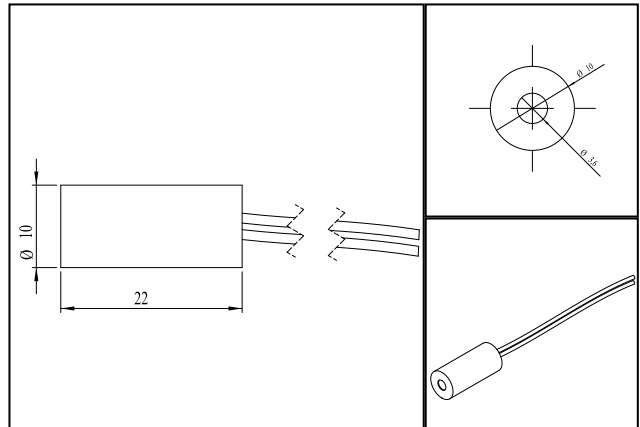
Picture



Cable color

Ground		black	GND
Positive		red	3 - 6, typ 5 V DC

Drawing



Safety Label



Valid Revision

0