

## DOE laser, red, 635 nm, 5 mW

DOE233-635-5-6(10x22)  
Order Number: 70112122

| Main Parameters (*)   | min | typ | max | Unit |
|-----------------------|-----|-----|-----|------|
| Wavelength            |     | 635 |     | nm   |
| Optical Diode Power   |     | 5   |     | mW   |
| Operating Voltage     | 3   | 5   | 6   | V DC |
| Operating Current     | 25  | 45  | 65  | mA   |
| Operating Temperature | -20 |     | 50  | °C   |
| Storage Temperature   | -40 |     | 80  | °C   |

### Main Data

Warranty 1 years

### Technical Parameters

Lifetime >3,000 h  
RoHS yes

### Optical Parameters

|                  |              |
|------------------|--------------|
| Beam Shape       | DOE          |
| Laser Class      | 2M           |
| Divergence       | H - 1.0 mrad |
| Optics           | acryl lense  |
| Laser technology | diode        |
| Protection Lens  | yes          |
| Focus            | fixed        |

### Electrical Parameters

Potential of Housing VDD(+)

### Mechanical Parameters

|                 |                            |
|-----------------|----------------------------|
| Size            | Ø10x22 mm                  |
| Material        | Brass                      |
| Cable length    | 100 mm                     |
| Wire type       | 26AWG, 0,14mm <sup>2</sup> |
| Output Aperture | 6 mm                       |
| Weight          | 8.5 g                      |

### DOE

|                           |        |
|---------------------------|--------|
| Alpha                     | 30°    |
| Beta                      | 21.4°  |
| Gamma                     | 3.6°   |
| Delta                     | 21.4°  |
| a                         | 53 mm  |
| b                         | 38 mm  |
| c                         | 6.3 mm |
| d                         | 38 mm  |
| Diameter (without holder) | 8 mm   |
| Width (without Holder)    | 1.2 mm |

Material PC

(\*) Over the complete operating temperature range

### Features



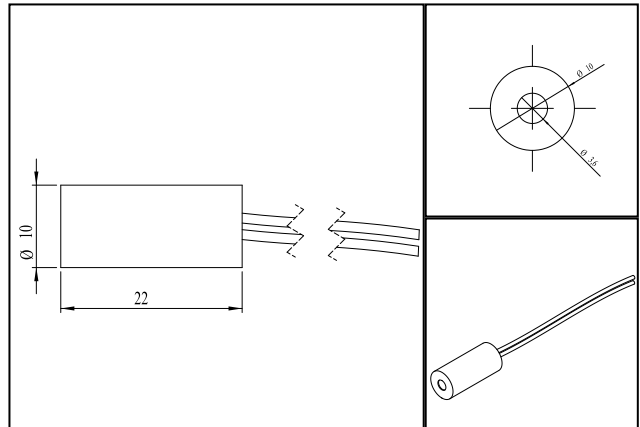
### Picture



### Cable color

Ground  black GND  
Positive  red 3 - 6, typ 5 V DC

### Drawing



### Safety Label



### Valid Revision

0