

Doe laser, green, 532 nm, 5 mW

DOE206-532-5-3(16x90)-NT
Order Number: 70110913

Main Parameters (*)	min	typ	max	Unit
Wavelength		532		nm
Optical Output Power		5		mW
Operating Voltage	2.7	3	3.3	V DC
Operating Current	125	250	375	mA
Operating Temperature	15		30	°C
Storage Temperature	-40		80	°C

Main Data

Warranty 1 years

Technical Parameters

Lifetime > 5,000 h
RoHS yes

Optical Parameters

Beam Shape DOE
Laser Class 2M
Divergence D - 0.5 mrad
Optics acryl lens
Laser technology Solid State (YVO4+KTP)
Stability +/- 20% @ 15-30°C
Protection Lens yes
Focus fixed
Warm up time < 15 min

Electrical Parameters

Potential of Housing VDD(+)
Connector 2.5 mm DC plug (GND pole inner)
Power Supply Power Supply, Output: 3.3V DC, Input: 100-240V AC, 50-60Hz, Output Power: 3.3W max, Connector 2,5x5,5x9,5mm center negative

Mechanical Parameters

Size Ø16x90 mm
Material aluminium
Cable length 1,360 mm
Output Aperture 6 mm
Housing Color cyan
Weight 43 g

DOE

Alpha 21°
Beta 14.6°
Gamma 0.9°

Delta	14.6°
a	37 mm
b	26 mm
c	1.6 mm
d	26 mm
Material	PMMA

(*) Over the complete operating temperature range

Features

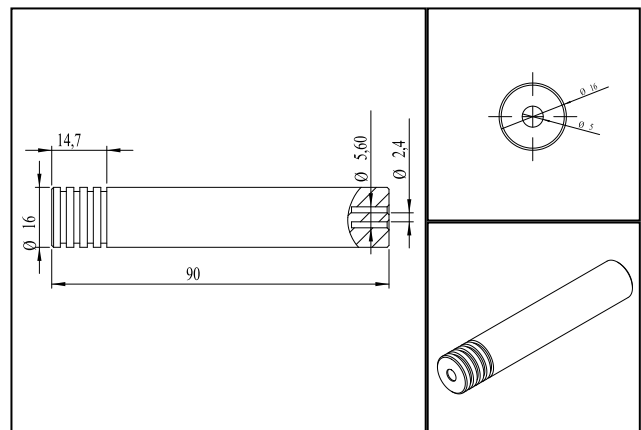


- DOE Laser
- Image processing
- Laser Class 2M
- Compact size

Picture



Drawing



Safety Label



Valid Revision

1 | 09-JAN-2018