

## Doe laser, red, 635 nm, 5 mW

DOE205-DD635-5-24(16x62)-ADJ  
Order Number: 70128536

Main Parameters (*)	min	typ	max	Unit
Wavelength		635		nm
Optical Output Power		5		mW
Operating Voltage	23.5	24	24.5	V DC
Operating Current	5	12	30	mA
Operating Temperature	-20		50	°C
Storage Temperature	-40		80	°C

### Main Data

Warranty 1 years

### Technical Parameters

Lifetime > 10,000 h  
RoHS yes

### Optical Parameters

Beam Shape DOE  
Laser Class 2M  
Divergence D - 0.5 mrad  
Operating Distance 2m  
Optics glass lens AR coated  
Laser technology Single Mode Diode  
Stability +/- 3% @ -10-50°C  
Focus adjustable

### Electrical Parameters

Potential of Housing isolated  
Stripping of cable cover 50 mm

### Mechanical Parameters

Size Ø16x62 mm  
Material aluminium  
Cable length 300 mm  
Wire type 18AWG, black, 3,6mm  
Output Aperture 5 mm  
Housing Color black  
Weight 30 g  
Stripping of wire 5 mm

(\*) Over the complete operating temperature range

### Features





- Adjustable focus
- DOE optic can be changed
- Compact size
- Glas lenses anti reflex coated
- Operating Voltage 24 V DC

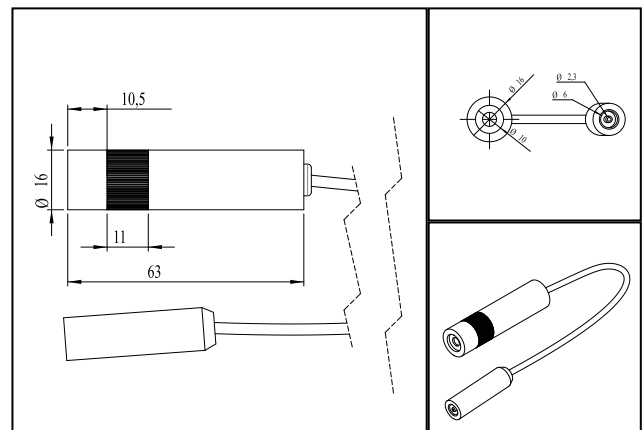
### Picture



### Cable color

Ground		black	GND
Positive		white	23.5 - 24.5, typ 24 V DC

### Drawing



### Safety Label



### Valid Revision

| 16-JUL-2019