

Doe laser, green, 532 nm, 5 mW

DOE205-532-5-3(16x62)
Order Number: 70123302

Main Parameters (*)	min	typ	max	Unit
Wavelength		532		nm
Optical Output Power		5		mW
Operating Voltage	2.7	3	3.3	V DC
Operating Current	150	300	450	mA
Operating Temperature	15		30	°C
Storage Temperature	-40		80	°C

Main Data

Warranty 1 years

Technical Parameters

Lifetime > 5,000 h
RoHS yes

Optical Parameters

Beam Shape	DOE
Laser Class	2M
Divergence	D - 0.5 mrad
Operating Distance	5m
Optics	glass lens AR coated
Beam Mode	TEM00
Laser technology	Solid State (YVO4+KTP)
Stability	+/- 10% @ 15-30°C
Focus	adjustable
Warm up time	< 15 min

Electrical Parameters

Potential of Housing	isolated
Connector	2.5 mm DC socket (GND pole inner)
Power Supply	Power Supply, Output: 3.3V DC, Input: 100-240V AC, 50-60Hz, Output Power: 3.3W max, Connector 2,5x5,5x9,5mm center negative

Mechanical Parameters

Size	Ø16x62 mm
Material	aluminium
Cable length	200 mm
Wire type	18AWG, black, 3,6mm
Output Aperture	5 mm

Weight 37g

(*) Over the complete operating temperature range

Features

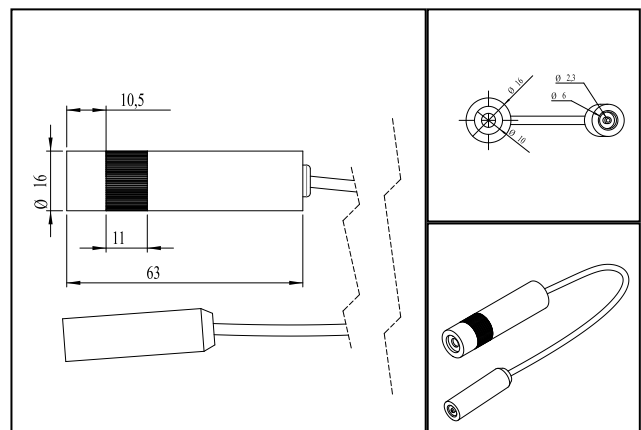


- Adjustable focus
- DOE optic can be changed
- Compact size
- Glas lenses anti reflex coated
- Operating Voltage 3V DC

Picture



Drawing



Safety Label



Valid Revision

| 20-JUN-2017