

Dot laser, green, 532 nm, 10 mW

DJ532-10-3(10x12)-P
Order Number: 70104820

Main Parameters (*)	min	typ	max	Unit
Wavelength		532		nm
Optical Output Power		10		mW
Operating Voltage	2.7	3	3.3	V DC
Operating Current		200		mA
Operating Temperature	15		30	°C
Storage Temperature	-40		80	°C

Main Data

Warranty 1 years

Technical Parameters

Lifetime >5000 h
RoHS yes

Optical Parameters

Beam Shape	Dot
Laser Class	3B
Divergence	J - 2.0 mrad
Beam Diameter	0.15 mm
Size of Laserdot	0.15mm@10mm
Operating Distance	5 m
Optics	glass lens AR coated
Beam Mode	TEM00
Laser technology	YVO4+KTP
Protection Lens	no
Focus	fixed (10mm)
Warm up time	<15 min

Electrical Parameters

Potential of Housing VDD(+)

Mechanical Parameters

Size	Ø10x12 mm
Material	aluminium
Cable length	140 mm
Weight	8.1 g
PCB size	30x15x8 mm

(*) Over the complete operating temperature range

Features



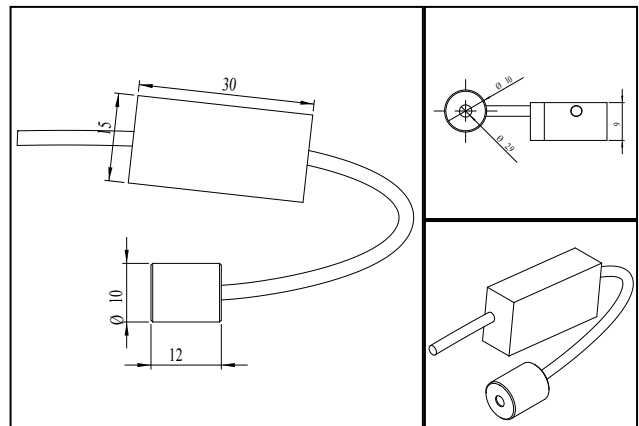
Picture



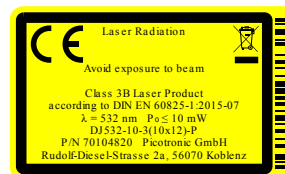
Cable color

Ground		blue	GND
positive		red	2.7 - 3.3, typ 3 V DC

Drawing



Safety Label



Valid Revision

REV 3 | 05-JAN-2017