

## Dot laser, red, 670 nm, 2.5 mW

DI670-2.5-3(8x21)  
Order Number: 70101065

Main Parameters (*)	min	typ	max	Unit
Wavelength		670		nm
Optical Output Power		2.5		mW
Operating Voltage	2.7	3	3.3	V DC
Operating Current	15	30	45	mA
Operating Temperature	-20		50	°C
Storage Temperature	-40		80	°C

### Main Data

Warranty 1 years

### Technical Parameters

Lifetime	> 5,000 h
RoHS	yes

### Optical Parameters

Beam Shape	Dot
Laser Class	3R
Divergence	1 - 1.5 mrad
Beam Diameter	2.5 mm
Size of Laserdot	<3..5mm@5m
Operating Distance	25 m
Optics	glass lens AR coated
Laser technology	diode
Focus	collimated

### Electrical Parameters

Potential of Housing	isolated
Power Supply	Power Supply with stripped/tinned wires, Output: 3.3V DC, Input: 100-240V AC, 50-60Hz, Output Power: 3.3W max.

### Mechanical Parameters

Size	Ø8x21 mm
Material	Brass
Cable length	100 mm
Output Aperture	2.5 mm
Weight	5 g

(\*) Over the complete operating temperature range

### Features



- Operating Voltage 3V DC
- Laser Class 3R
- Compact size
- Fixed focus
- Uniform illumination

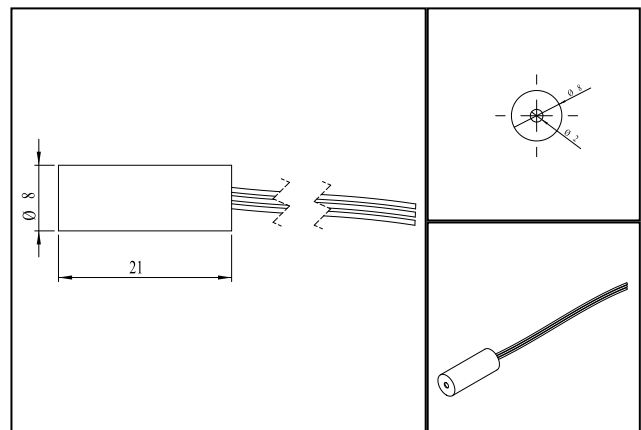
### Picture



### Cable color

Ground		green	GND
Positive		red	2.7 - 3.3, typ 3 V DC

### Drawing



### Safety Label



### Valid Revision

5 | 25-AUG-2016