

Dot laser, red, 670 nm, 1 mW

DI670-1-3(8x21)
Order Number: 70100624

Main Parameters (*)	min	typ	max	Unit
Wavelength		670		nm
Optical Output Power		1		mW
Operating Voltage	2.7	3	3.3	V DC
Operating Current	15	26	35	mA
Operating Temperature	-20		50	°C
Storage Temperature	-40		80	°C

Main Data

Warranty 1 years

Technical Parameters

Lifetime > 5,000 h
RoHS yes

Optical Parameters

Beam Shape Dot
Laser Class 2
Divergence 1 - 1.5 mrad
Beam Diameter 2 mm
Size of Laserdot <3.5mm@5m
Operating Distance 10 m
Optics glass lens AR coated
Laser technology Single Mode Diode
Focus collimated

Electrical Parameters

Potential of Housing isolated
Power Supply Power Supply with stripped/tinned wires, Output: 3.3V DC, Input: 100-240V AC, 50-60Hz, Output Power: 3.3W max.

Mechanical Parameters

Size Ø8x21 mm
Material aluminium
Cable length 100 mm
Wire type 26AWG, 0,14mm²
Output Aperture 2 mm
Housing Color black
Weight 5g
Stripping of wire 5 mm

(*) Over the complete operating temperature range

Features



- Operating Voltage 3V DC
- Laser Class 2
- Compact size
- Fixed focus
- Low power consumption

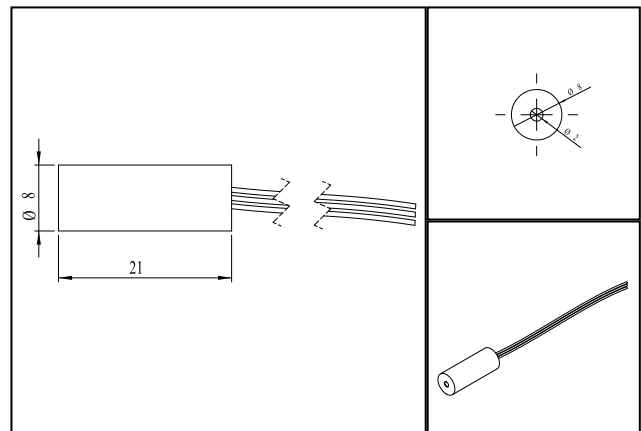
Picture



Cable color

Ground		green	GND
Positive		red	2.7 - 3.3, typ 3 V DC

Drawing



Safety Label



Valid Revision

0 | 28-OCT-2015