

## Dot laser, red, 650 nm, 50 mW

DI650-50(8x21)-No-Driver  
Order Number: 70120714

Main Parameters (*)	min	typ	max	Unit
Wavelength		650		nm
Optical Output Power		50		mW
Operating Voltage	2.2		2.6	V DC
Operating Current	40	70	100	mA
Operating Temperature	-20		50	°C
Storage Temperature	-40		80	°C

### Main Data

Warranty 1 years

### Technical Parameters

Lifetime > 10,000 h  
RoHS yes

### Optical Parameters

Beam Shape Dot  
Laser Class 3B  
Divergence 1 - 1.5 mrad  
Size of Laserdot <3..4mm@5m  
Operating Distance 100 m  
Optics glass lens AR coated  
Laser technology Single Mode Diode  
Focus collimated

### Mechanical Parameters

Size Ø8x21 mm  
Material aluminium  
Output Aperture 2.5 mm  
Housing Color silver  
Weight 3.1 g

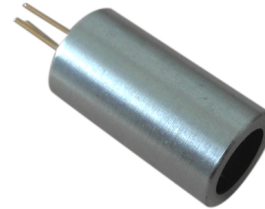
(\*) Over the complete operating temperature range

### Features

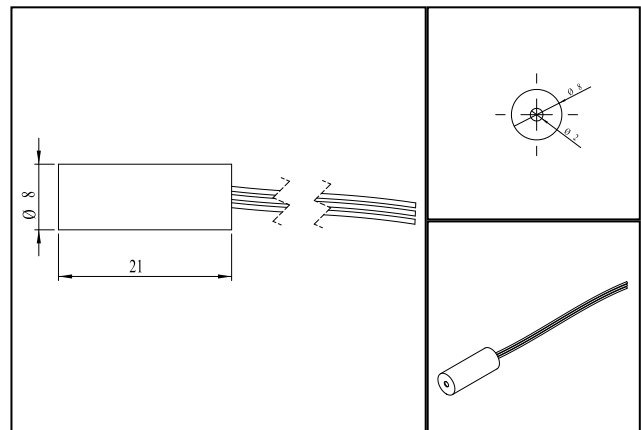


- Operating Voltage
- Image processing
- Laser Class 3B
- Fixed focus
- Glas lenses anti reflex coated

### Picture



### Drawing



### Safety Label



### Valid Revision

| 05-JAN-2017