

Dot laser, red, 650 nm, 3 mW

DI650-3-3(8x21)
Order Number: 70101614



Main Parameters (*)	min	typ	max	Unit
Wavelength		650		nm
Optical Output Power		3		mW
Operating Voltage		3		V DC
Operating Current		50		mA
Operating Temperature	-20		50	°C
Storage Temperature	-40		80	°C

Main Data

Warranty 1 years

Technical Parameters

Lifetime > 5,000 h
RoHS yes

Optical Parameters

Beam Shape Dot
Laser Class 3R
Divergence I - 1.5 mrad
Operating Distance 10 m
Optics glass lens AR coated
Laser technology diode

Mechanical Parameters

Size Ø8x21 mm
Material aluminium
Cable length 100 mm
Output Aperture 2.5 mm
Weight 1.5 g

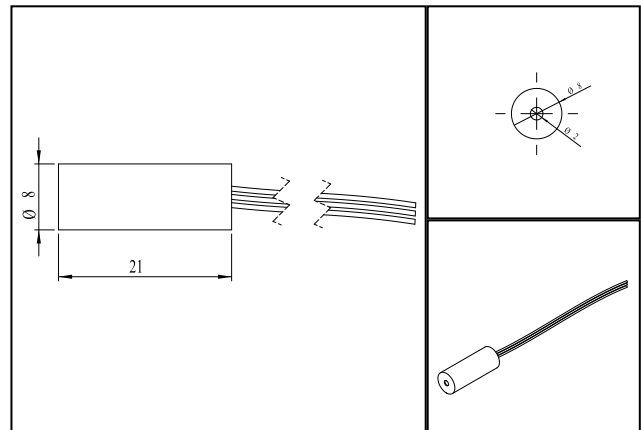
(*) Over the complete operating temperature range

Features

Picture



Drawing



Safety Label



Valid Revision

0 | 16-DEC-2020