

## Dot laser, red, 650 nm, 2.5 mW

DI650-2.5-3(8x21)  
Order Number: 70101058

Main Parameters (*)	min	typ	max	Unit
Wavelength		650		nm
Optical Output Power		2.5		mW
Operating Voltage	2.7	3	3.3	V DC
Operating Current	15	25	40	mA
Operating Temperature	-20		50	°C
Storage Temperature	-40		80	°C

### Main Data

Warranty 1 years

### Technical Parameters

Lifetime >5,000 h  
RoHS yes

### Optical Parameters

Beam Shape Dot  
Laser Class 3R  
Divergence 1 - 1.5 mrad  
Beam Diameter 2.5 mm  
Size of Laserdot <3.5mm@5m  
Operating Distance 10 m  
Optics glass lens AR coated  
Laser technology diode  
Focus collimated

### Electrical Parameters

Potential of Housing isolated  
Power Supply Power Supply with stripped/tinned wires, Output: 3.3V DC, Input: 100-240V AC, 50-60Hz, Output Power: 3.3W max.

### Mechanical Parameters

Size Ø8x21 mm  
Material aluminium  
Cable length 100 mm  
Output Aperture 2.5 mm  
Weight 3 g

(\*) Over the complete operating temperature range

### Features



- Operating Voltage 3V DC
- Laser Class 3R
- Compact size
- Glas lenses anti reflex coated
- Fixed focus

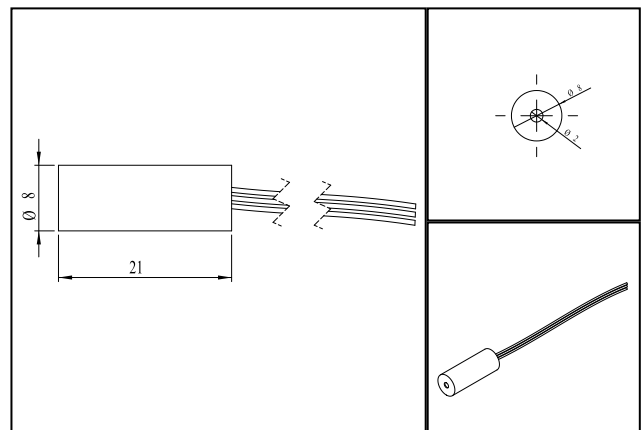
### Picture



### Cable color

Ground		blue	GND
Positive		red	2.7 - 3.3, typ 3 V DC

### Drawing



### Safety Label



### Valid Revision

0 | 28-OCT-2015