

Dot laser, red, 650 nm, 1 mW

DI650-1-5(8x21)-F90-AP-C
Order Number: 70107487

Main Parameters (*)	min	typ	max	Unit
Wavelength		650		nm
Optical Output Power		1		mW
Operating Voltage	4.5	5	5.5	V DC
Operating Current	15	25	40	mA
Operating Temperature	-20		50	°C
Storage Temperature	-40		80	°C

Main Data

Warranty 1 years

Technical Parameters

Lifetime > 5,000 h
RoHS yes

Optical Parameters

Beam Shape	Dot
Laser Class	2
Divergence	1 - 1.5 mrad
Beam Diameter	0.5 mm
Size of Laserdot	<0.3mm@0.09m
Operating Distance	0.09 m
Optics	glass lens AR coated
Laser technology	Single Mode Diode
Axial Divergence	±0.5°
Focus	fixed (90mm)

Electrical Parameters

Potential of Housing isolated
Connector Molex PicoBlade

Mechanical Parameters

Size	Ø8x21 mm
Material	aluminium
Cable length	100 mm
Wire type	26AWG, 0,14mm ²
Housing Color	black
Weight	3g

(*) Over the complete operating temperature range

Features



- Operating Voltage 5 V DC
- Image processing
- Compact size
- Fixed focus

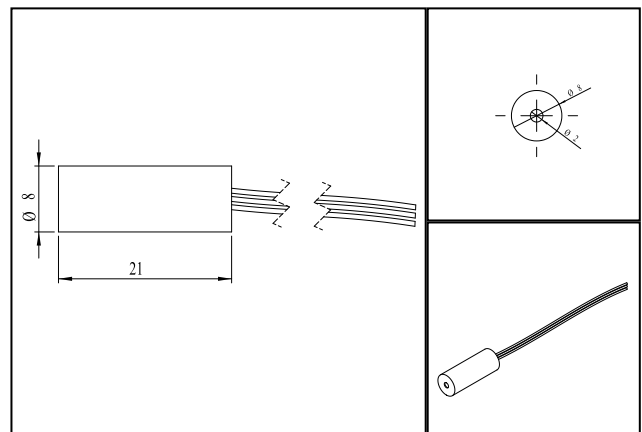
Picture



Cable color

Ground		black	GND
Positive		red	4.5 - 5.5, typ 5 V DC

Drawing



Safety Label



Valid Revision

4 | 25-MAY-2020