

Dot laser, red, 650 nm, 1 mW

DI650-1-5(8x21)-C180
Order Number: 70106695

Main Parameters (*)	min	typ	max	Unit
Wavelength		650		nm
Optical Output Power		1		mW
Operating Voltage	4.5	5	5.5	V DC
Operating Current	15	25	40	mA
Operating Temperature	-20		50	°C
Storage Temperature	-40		80	°C

Main Data

Warranty 1 years

Technical Parameters

Lifetime	> 5,000 h
RoHS	yes

Optical Parameters

Beam Shape	Dot
Laser Class	2
Divergence	1 - 1.5 mrad
Beam Diameter	2 mm
Size of Laserdot	<3..4mm@5m
Operating Distance	10 m
Optics	glass lens AR coated
Laser technology	diode
Focus	collimated

Electrical Parameters

Potential of Housing	isolated
Power Supply	Power Supply with stripped/tinned wires, Output: 5V DC, Input: 100-240V AC, 50-60Hz, Output Power: 3W max.

Mechanical Parameters

Size	Ø8x21 mm
Material	aluminium
Cable length	180 mm
Output Aperture	2 mm
Weight	2.6 g

(*) Over the complete operating temperature range

Features



- Laser Class 2
- Operating Voltage 5V DC
- Glas lenses anti reflex coated
- Compact size
- Fixed focus

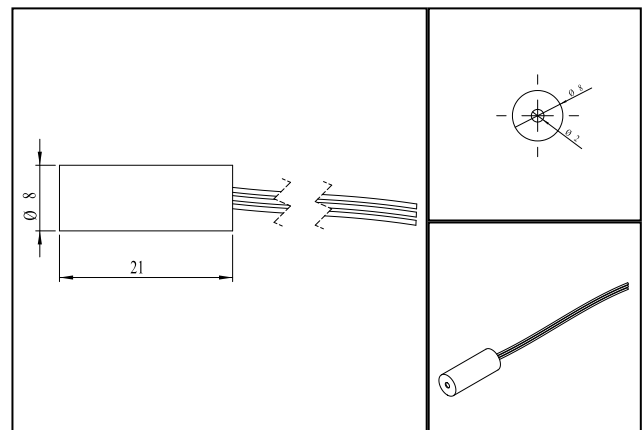
Picture



Cable color

Ground		blue	GND
Positive		red	4.5 - 5.5, typ 5 V DC

Drawing



Safety Label



Valid Revision

3 | 23-JAN-2020