

Dot laser, red, 650 nm, 1 mW

DI650-1-5(8x21)-AP-C
Order Number: 70125542

Main Parameters (*)	min	typ	max	Unit
Wavelength		650		nm
Optical Output Power		1		mW
Operating Voltage	4.5	5	5.5	V DC
Operating Current	15	23	40	mA
Operating Temperature	-20		50	°C
Storage Temperature	-40		80	°C

Main Data

Warranty 1 years

Technical Parameters

Lifetime > 5,000 h
RoHS yes

Optical Parameters

Beam Shape	Dot
Laser Class	2
Divergence	1 - 1.5 mrad
Beam Diameter	2 mm
Size of Laserdot	<3..5mm@5m
Operating Distance	10 m
Optics	glass lens AR coated
Laser technology	Single Mode Diode
Axial Divergence	± 0.1°
Focus	collimated

Electrical Parameters

Potential of Housing	isolated
Connector	2.1 mm DC plug (GND pole inner)
Power Supply	Power Supply, Output: 5V DC, Input: 100-240V AC, 50-60Hz, Output Power: 3W max, Connector 2,1x5,5x9,5mm center negative

Mechanical Parameters

Size	Ø8x21 mm
Material	aluminium
Cable length	100 mm
Wire type	26AWG, 0,14mm ²
Output Aperture	2.5 mm
Housing Color	silver
Weight	3g

(*) Over the complete operating temperature range

Features



- Axial parallel
- Low power consumption
- Compact size
- Laser Class 2
- Operating Voltage 5V DC

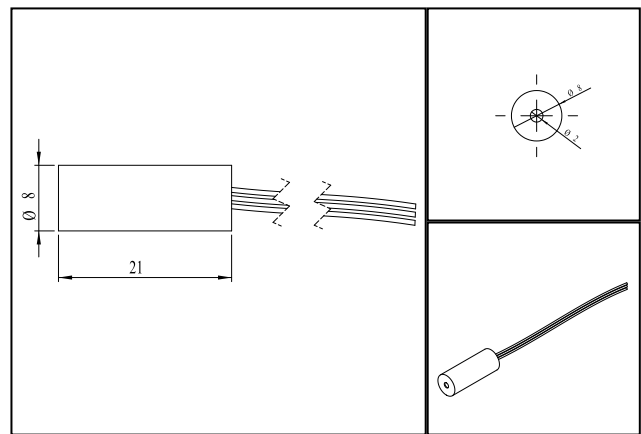
Picture



Cable color

Ground		black	GND
Positive		red	4.5 - 5.5, typ 5 V DC

Drawing



Safety Label



Valid Revision

| 02-SEP-2022