

Dot laser, red, 650 nm, 1 mW

DI650-1-3(9x21)-F1000-AP
Order Number: 70106206

Main Parameters (*)	min	typ	max	Unit
Wavelength		650		nm
Optical Output Power		1		mW
Operating Voltage	2.7	3	3.3	V DC
Operating Current	10	20	30	mA
Operating Temperature	-20		50	°C
Storage Temperature	-40		80	°C

Main Data

Warranty 1 years

Technical Parameters

Lifetime >5,000 h
RoHS yes

Optical Parameters

Beam Shape Dot
Laser Class 2
Divergence 1 - 1.5 mrad
Beam Diameter 2 mm
Size of Laserdot <1.5mm@1m
Operating Distance 1 m
Optics glass lens AR coated
Laser technology Single Mode Diode
Axial Divergence $\pm 0.1^\circ$
Focus fixed (1000mm)

Electrical Parameters

Power Supply Power Supply with stripped/tinned wires, Output: 3.3V DC, Input: 100-240V AC, 50-60Hz, Output Power: 3.3W max.

Mechanical Parameters

Size $\varnothing 9 \times 21$ mm
Material aluminium
Cable length 100 mm
Wire type 26AWG, 0,14mm²
Output Aperture 2 mm
Housing Color silver
Weight 3.5 g
Stripping of wire 10 mm

(*) Over the complete operating temperature range

Features



- Axial parallel
- Glas lenses anti reflex coated
- Small package
- Operating Voltage 3V DC
- Laser Class 2

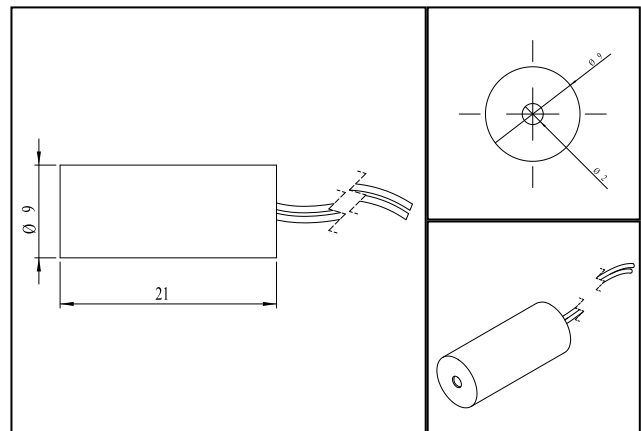
Picture



Cable color

Ground		blue	GND
Positive		red	2.7 - 3.3, typ 3 V DC

Drawing



Safety Label



Valid Revision

5 | 28-MAR-2019