

## Dot laser, red, 650 nm, 1 mW

DI650-1-3(8x21)-ADJ  
Order Number: 70103786

Main Parameters (*)	min	typ	max	Unit
Wavelength		650		nm
Optical Output Power		1		mW
Operating Voltage	2.7	3	3.3	V DC
Operating Current	10	20	30	mA
Operating Temperature	-20		50	°C
Storage Temperature	-40		80	°C

### Main Data

Warranty 1 years

### Technical Parameters

Lifetime > 5,000 h  
RoHS yes

### Optical Parameters

Beam Shape Dot  
Laser Class 2  
Divergence 1 - 1.5 mrad  
Size of Laserdot adjustable  
Operating Distance 10 m  
Optics glass lens AR coated  
Laser technology Single Mode Diode  
Focus adjustable

### Electrical Parameters

Potential of Housing isolated  
Power Supply Power Supply with stripped/tinned wires, Output: 3.3V DC, Input: 100-240V AC, 50-60Hz, Output Power: 3.3W max.

### Mechanical Parameters

Size Ø8x21 mm  
Material aluminium  
Cable length 100 mm  
Wire type 26AWG, 0,14mm<sup>2</sup>  
Output Aperture 2 mm  
Housing Color black  
Weight 3.4 g  
Stripping of wire 5 mm

(\*) Over the complete operating temperature range

## Features



- Laser Class 2
- Operating Voltage 3V DC
- Adjustable focus
- Glas lenses anti reflex coated
- Compact size

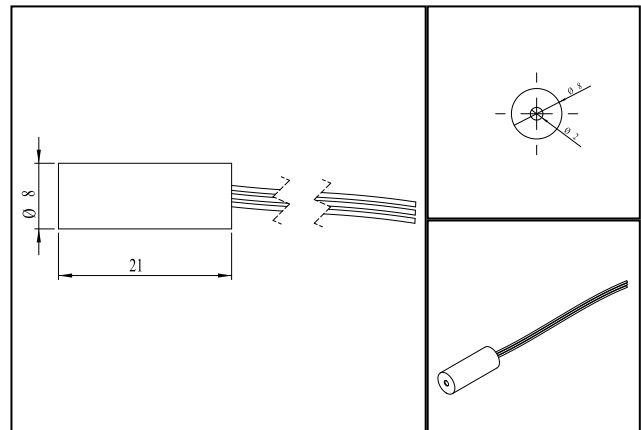
## Picture



## Cable color

Ground  blue GND  
Positive  red 2.7 - 3.3, typ 3 V DC

## Drawing



## Safety Label



## Valid Revision

8 | 11-FEB-2021