

## Dot laser, red, 650 nm, 0.4 mW

DI650-0.4-5(8x21)-ADJ-C145-JST  
Order Number: 70129878

| Main Parameters (*)   | min | typ | max | Unit |
|-----------------------|-----|-----|-----|------|
| Wavelength            |     | 650 |     | nm   |
| Optical Output Power  |     | 0.4 |     | mW   |
| Operating Voltage     | 4.7 | 5   | 5.3 | V DC |
| Operating Current     | 10  | 18  | 40  | mA   |
| Operating Temperature | -20 |     | 50  | °C   |
| Storage Temperature   | -40 |     | 80  | °C   |

### Main Data

Warranty 1 Jahre

### Technical Parameters

Lifetime > 5,000 h  
RoHS yes

### Optical Parameters

|                    |                      |
|--------------------|----------------------|
| Beam Shape         | Dot                  |
| Laser Class        | 1                    |
| Divergence         | 1 - 1.5 mrad         |
| Size of Laserdot   | adjustable           |
| Operating Distance | 10 m                 |
| Optics             | glass lens AR coated |
| Laser technology   | Single Mode Diode    |
| Focus              | adjustable           |

### Electrical Parameters

|                      |                    |
|----------------------|--------------------|
| Potential of Housing | isolated           |
| Connector            | JST PHR-2 2pol 2mm |
| Power Supply         | LFNT-5             |

### Mechanical Parameters

|                   |                            |
|-------------------|----------------------------|
| Size              | Ø8x21 mm                   |
| Material          | aluminium                  |
| Cable length      | 145 mm                     |
| Wire type         | 26AWG, 0,14mm <sup>2</sup> |
| Output Aperture   | 2 mm                       |
| Housing Color     | black                      |
| Weight            | 3 g                        |
| Stripping of wire | 5 mm                       |

(\*) Over the complete operating temperature range

### Features



- Operating Voltage 5 V DC
- Laser Class 1
- Image processing
- Adjustable focus
- Compact size

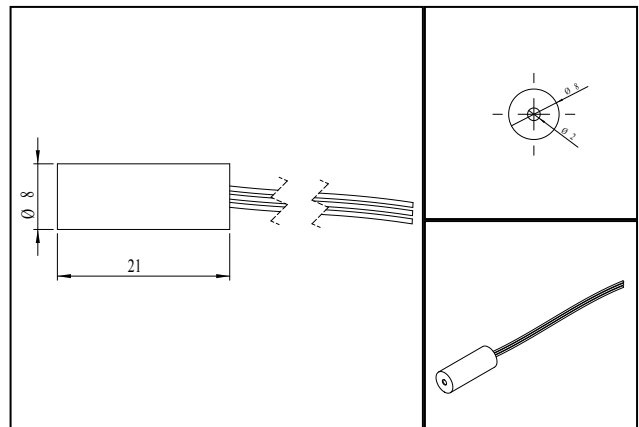
### Picture



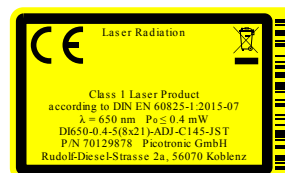
### Cable color

|          |  |      |                       |
|----------|--|------|-----------------------|
| Ground   |  | blue | GND                   |
| positive |  | red  | 4.7 - 5.3, typ 5 V DC |

### Drawing



### Safety Label



### Valid Revision

| 16-JUL-2019