

Dot laser, red, 650 nm, 0.3 mW

DI650-0.3-5(8x21)-F100
Order Number: 70103953

Main Parameters (*)	min	typ	max	Unit
Wavelength		650		nm
Optical Output Power		0.3		mW
Operating Voltage	4.5	5	5.5	V DC
Operating Current	10	19	30	mA
Operating Temperature	-20		50	°C
Storage Temperature	-40		80	°C

Main Data

Warranty 1 years

Technical Parameters

Lifetime	> 5,000 h
RoHS	yes

Optical Parameters

Beam Shape	Dot
Laser Class	1
Divergence	1 - 1.5 mrad
Size of Laserdot	<0.3mm@0.1m
Operating Distance	0.1 m
Optics	glass lens AR coated
Laser technology	Single Mode Diode
Focus	fixed (100mm)

Electrical Parameters

Potential of Housing	isolated
Power Supply	Power Supply with stripped/tinned wires, Output: 5V DC, Input: 100-240V AC, 50-60Hz, Output Power: 3W max.

Mechanical Parameters

Size	Ø8x21 mm
Material	aluminium
Cable length	100 mm
Wire type	26AWG, 0,14mm ²
Output Aperture	2.5 mm
Housing Color	black
Weight	2.5g
Stripping of wire	5 mm

(*) Over the complete operating temperature range

Features



- Operating Voltage 5 V DC
- Laser Class 1
- Compact size
- Low power consumption
- Fixed focus

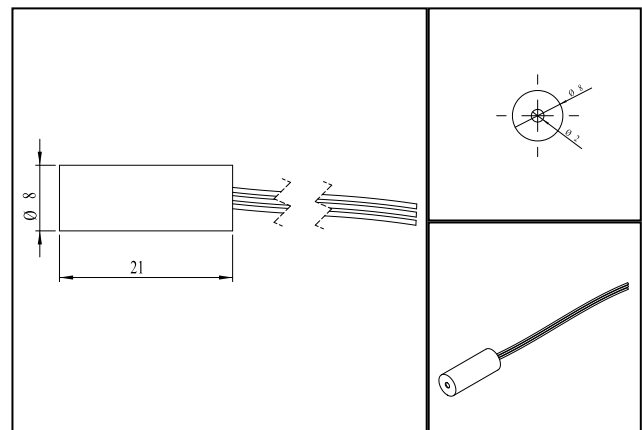
Picture



Cable color

Ground		green	GND
Positive		red	4.5 - 5.5, typ 5 V DC

Drawing



Safety Label



Valid Revision

3 | 28-OCT-2015