

## Dot laser, red, 635 nm, 5 mW

DI635-5-5(9x21)-F100-AP  
Order Number: 70116632

Main Parameters (*)	min	typ	max	Unit
Wavelength		635		nm
Optical Output Power		5		mW
Operating Voltage	4.5	5	5.5	V DC
Operating Current	45	60	70	mA
Operating Temperature	-20		50	°C
Storage Temperature	-40		80	°C

### Main Data

Warranty 1 years

### Technical Parameters

Lifetime > 5,000 h

RoHS yes

### Optical Parameters

Beam Shape Dot

Laser Class 3R

Divergence 1 - 1.5 mrad

Beam Diameter 2mm

Size of Laserdot <0.3mm@0.1m

Operating Distance 0.1 m

Optics glass lens AR coated

Laser technology Single Mode Diode

Axial Divergence  $\pm 0.1^\circ$

Focus fixed (100mm)

### Electrical Parameters

Potential of Housing isolated

Power Supply  
Power Supply with stripped/tinned wires, Output: 5V DC, Input: 100-240V AC, 50-60Hz, Output Power: 3W max.

### Mechanical Parameters

Size  $\varnothing 9 \times 21$  mm

Material aluminium

Cable length 100 mm

Wire type 26AWG, 0,14mm<sup>2</sup>

Output Aperture 2mm

Housing Color silver

Weight 3.5g

Stripping of wire 5 mm

(\*) Over the complete operating temperature range

### Features



- Axial parallel
- Glas lenses anti reflex coated
- Small package
- Operating Voltage 5V DC
- Laser Class 3R

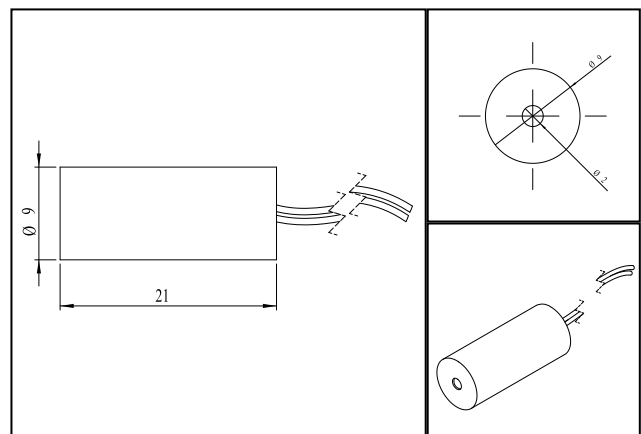
### Picture



### Cable color

Ground		blue	GND
Positive		red	4.5 - 5.5, typ 5 V DC

### Drawing



### Safety Label



### Valid Revision

5 | 06-JAN-2017