

Dot laser, red, 635 nm, 2.5 mW

DI635-2.5-5(8x21)
Order Number: 70105407

Main Parameters (*)	min	typ	max	Unit
Wavelength		635		nm
Optical Output Power		2.5		mW
Operating Voltage	4.5	5	5.5	V DC
Operating Current	40	45	50	mA
Operating Temperature	-20		50	°C
Storage Temperature	-40		80	°C

Main Data

Warranty 1 years

Technical Parameters

Lifetime >5,000 h
RoHS yes

Optical Parameters

Beam Shape Dot
Laser Class 3R
Divergence 1 - 1.5 mrad
Size of Laserdot <2-3mm@1m
Operating Distance 10 m
Optics glass lens AR coated
Laser technology diode
Focus collimated

Electrical Parameters

Potential of Housing isolated

Mechanical Parameters

Size Ø8x21 mm
Material aluminium
Cable length 100 mm
Output Aperture 2.5 mm
Housing Color black
Weight 1.5 g

(*) Over the complete operating temperature range

Features



- Operating Voltage 5V DC
- Laser Class 3R
- Compact size

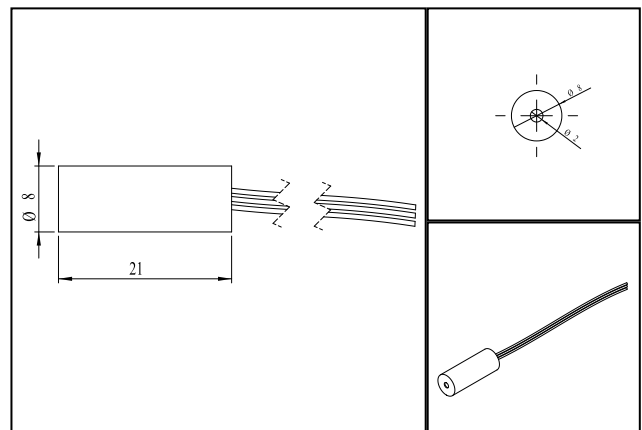
Picture



Cable color

Ground		blue	GND
Positive		red	4.5 - 5.5, typ 5 V DC

Drawing



Safety Label



Valid Revision

8 | 28-OCT-2015