

Dot laser, red, 635 nm, 2.5 mW

DI635-2.5-5(8x21)-NO-MONITOR
Order Number: 70106831

Main Parameters (*)	min	typ	max	Unit
Wavelength		635		nm
Optical Output Power		2.5		mW
Operating Voltage	3	5	5	V DC
Operating Current		40		mA
Operating Temperature	-20		50	°C
Storage Temperature	-40		80	°C

Main Data

Warranty 1 years

Technical Parameters

Lifetime	> 5,000 h
RoHS	yes

Optical Parameters

Beam Shape	Dot
Laser Class	3R
Divergence	1 - 1.5 mrad
Size of Laserdot	<3..4mm@5m
Operating Distance	10 m
Optics	glass lens AR coated
Laser technology	diode
Focus	collimated

Electrical Parameters

Potential of Housing	isolated
----------------------	----------

Mechanical Parameters

Size	Ø8x21 mm
Material	aluminium
Cable length	100 mm
Output Aperture	2.5 mm
Weight	3.1 g

(*) Over the complete operating temperature range

Features



- Operating Voltage 5V DC
- Image processing
- Laser Class 3R
- Fixed focus
- Glas lenses anti reflex coated

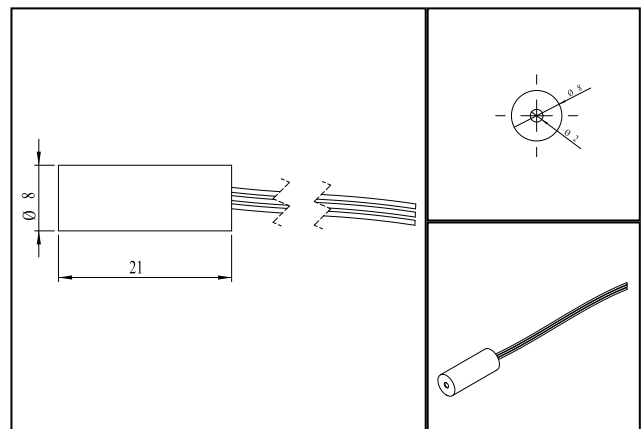
Picture



Cable color

Ground		blue	GND
Positive		red	3 - 5, typ 5 V DC

Drawing



Safety Label



Valid Revision

1 | 05-JAN-2017