

## Dot laser, red, 635 nm, 1 mW

DI635-1-5(9x21)-F100-AP  
Order Number: 70117684

Main Parameters (*)	min	typ	max	Unit
Wavelength		635		nm
Optical Output Power		1		mW
Operating Voltage	4.5	5	5.5	V DC
Operating Current	15	27	45	mA
Operating Temperature	-20		50	°C
Storage Temperature	-40		80	°C

### Main Data

Warranty 1 years

### Technical Parameters

Lifetime >5,000 h  
RoHS yes

### Optical Parameters

Beam Shape	Dot
Laser Class	2
Divergence	1 - 1.5 mrad
Beam Diameter	2 mm
Size of Laserdot	<0.3mm@0.1m
Operating Distance	0.1 m
Optics	glass lens AR coated
Laser technology	Single Mode Diode
Axial Divergence	±0.1°
Focus	fixed (100mm)

### Electrical Parameters

Potential of Housing	isolated
Power Supply	Power Supply with stripped/tinned wires, Output: 5V DC, Input: 100-240V AC, 50-60Hz, Output Power: 3W max.

### Mechanical Parameters

Size	Ø9x21 mm
Material	aluminium
Cable length	100 mm
Wire type	26AWG, 0,14mm <sup>2</sup>
Output Aperture	2 mm
Housing Color	silver
Weight	3.5 g
Stripping of wire	10 mm

(\*) Over the complete operating temperature range

### Features



- Axial parallel
- Glas lenses anti reflex coated
- Small package
- Operating Voltage 5V DC
- Laser Class 2

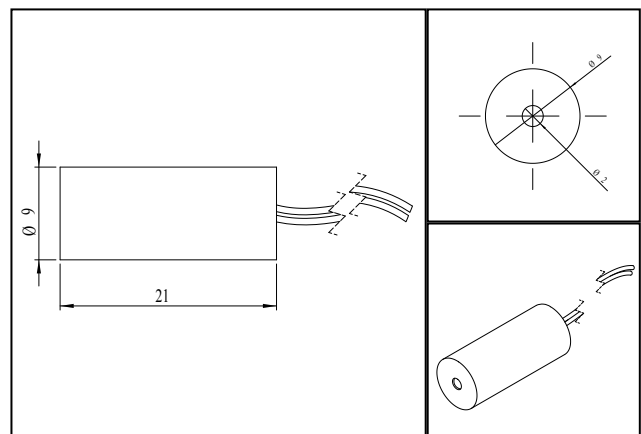
### Picture



### Cable color

Ground		blue	GND
Positive		red	4.5 - 5.5, typ 5 V DC

### Drawing



### Safety Label



### Valid Revision

5 | 18-JAN-2013