

## Dot laser, red, 635 nm, 0.4 mW

DI635-0.4-5(8x21)-AP  
Order Number: 70114157

Main Parameters (*)	min	typ	max	Unit
Wavelength		635		nm
Optical Output Power		0.4		mW
Operating Voltage	4.5	5	5.5	V DC
Operating Current	15	28	45	mA
Operating Temperature	-20		50	°C
Storage Temperature	-40		80	°C

### Main Data

Warranty 1 years

### Technical Parameters

Lifetime >5000 h  
RoHS yes

### Optical Parameters

Beam Shape	Dot
Laser Class	1
Divergence	1 - 1.5 mrad
Beam Diameter	2 mm
Size of Laserdot	<3..5mm@5m
Operating Distance	10 m
Optics	glass lens AR coated
Laser technology	Single Mode Diode
Axial Divergence	±0.1 °
Focus	collimated

### Electrical Parameters

Power Supply LFNT-5

### Mechanical Parameters

Size	Ø8x21 mm
Material	aluminium
Cable length	100 mm
Wire type	26AWG, 0,14mm <sup>2</sup>
Output Aperture	2 mm
Housing Color	silver
Weight	3 g
Stripping of wire	5 mm

(\*) Over the complete operating temperature range

### Features



- Axial parallel
- Glas lenses anti reflex coated
- Compact size
- Laser Class 1
- Operating Voltage 5 V DC

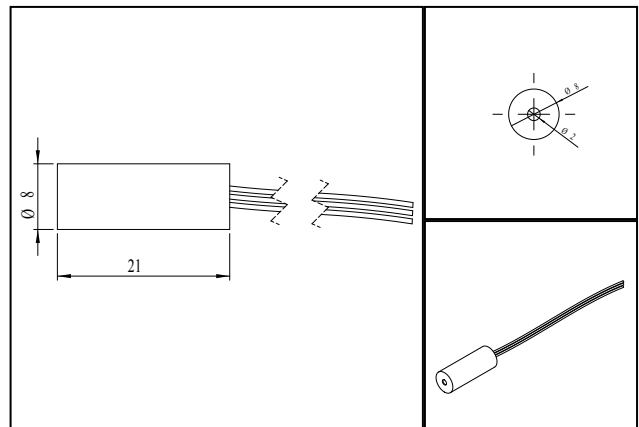
### Picture



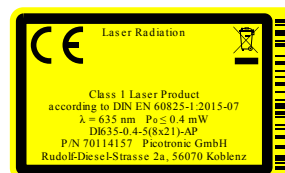
### Cable color

Ground		blue	GND
positive		red	4.5 - 5.5, typ 5 V DC

### Drawing



### Safety Label



### Valid Revision

REV 7 | 11-FEB-2021