

Dot laser, red, 635 nm, 0.4 mW

DI635-0.4-5(8x21)-AP-C300
Order Number: 70120844

| Main Parameters (*) | min | typ | max | Unit |
|-----------------------|-----|-----|-----|------|
| Wavelength | | 635 | | nm |
| Optical Output Power | | 0.4 | | mW |
| Operating Voltage | 4.5 | 5 | 5.5 | V DC |
| Operating Current | 20 | 35 | 55 | mA |
| Operating Temperature | -20 | | 50 | °C |
| Storage Temperature | -40 | | 80 | °C |

Main Data

Warranty 1 years

Technical Parameters

Lifetime > 5,000 h
RoHS yes

Optical Parameters

| | |
|--------------------|----------------------|
| Beam Shape | Dot |
| Laser Class | 1 |
| Divergence | 1 - 1.5 mrad |
| Beam Diameter | 2 mm |
| Size of Laserdot | <3.5mm@5m |
| Operating Distance | 10 m |
| Optics | glass lens AR coated |
| Laser technology | diode |
| Axial Divergence | ± 0.1° |
| Focus | collimated |

Electrical Parameters

| | |
|----------------------|--|
| Potential of Housing | isolated |
| Power Supply | Power Supply with stripped/tinned wires, Output: 5V DC, Input: 100-240V AC, 50-60Hz, Output Power: 3W max. |

Mechanical Parameters

| | |
|-----------------|---------------------|
| Size | Ø8x21 mm |
| Material | aluminium |
| Cable length | 300 mm |
| Wire type | 18AWG, black, 3,6mm |
| Output Aperture | 2 mm |
| Housing Color | silver |
| Weight | 3 g |

(*) Over the complete operating temperature range

Features



- Axial parallel
- Glas lenses anti reflex coated
- Compact size
- Laser Class 1
- Operating Voltage 5V DC

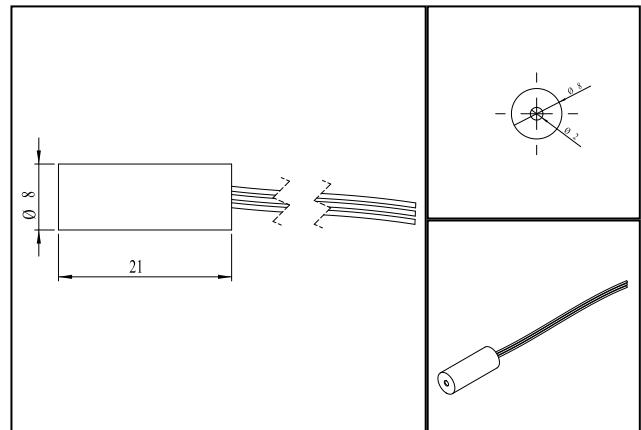
Picture



Cable color

| | | | |
|----------|--|-------|-----------------------|
| Ground |  | black | GND |
| Positive |  | white | 4.5 - 5.5, typ 5 V DC |

Drawing



Safety Label



Valid Revision

| 02-SEP-2022