

Dot laser, infrared, 980 nm, 40 mW

DH980-40-3(22x60)
Order Number: 70102703

Main Parameters (*)	min	typ	max	Unit
Wavelength		980		nm
Optical Output Power		40		mW
Operating Voltage	2.7	3	3.3	V DC
Operating Current	30	35	80	mA
Operating Temperature	-20		50	°C
Storage Temperature	-40		80	°C

Main Data

Warranty 1 years

Technical Parameters

Lifetime > 5,000 h
RoHS yes

Optical Parameters

Beam Shape Dot
Laser Class 3B
Divergence H - 1.0 mrad
Size of Laserdot adjustable
Operating Distance 100 m
Optics glass lens AR coated
Laser technology diode
Focus adjustable

Electrical Parameters

Potential of Housing isolated
Power Supply Power Supply with stripped/tinned wires, Output: 3.3V DC, Input: 100-240V AC, 50-60Hz, Output Power: 3.3W max.

Mechanical Parameters

Size Ø22x60 mm
Material aluminium
Cable length 100 mm
Wire type 26AWG, 0,14mm²
Output Aperture 5 mm
Weight 51 g

(*) Over the complete operating temperature range

Features



- Laser Class 3B
- Operating Voltage 3V DC
- Adjustable focus
- Compact size
- Image processing

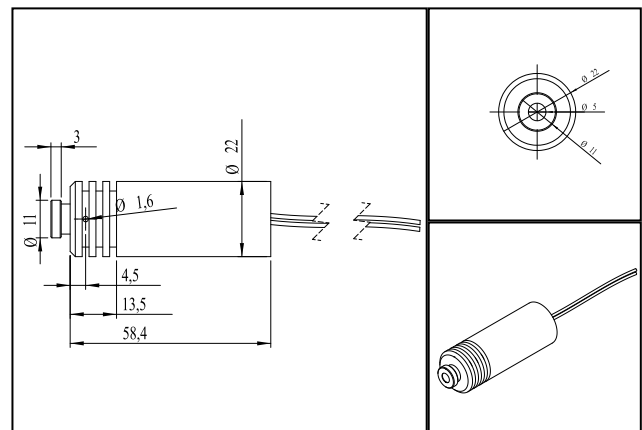
Picture



Cable color

Ground		black	GND
Positive		red	2.7 - 3.3, typ 3 V DC

Drawing



Safety Label



Valid Revision

5 | 17-DEC-2018