

Dot laser, infrared, 980 nm, 30 mW

DH980-30-3(22x65)
Order Number: 70102024

Main Parameters (*)	min	typ	max	Unit
Wavelength		980		nm
Optical Output Power		30		mW
Operating Voltage	2.7	3	3.3	V DC
Operating Current	30	60	90	mA
Operating Temperature	-20		50	°C
Storage Temperature	-40		80	°C

Stammdaten

Warranty 1 Jahre

Technical Parameters

Lifetime >5000 h
RoHS yes

Optical Parameters

Beam Shape	Dot
Laser Class	3B
Divergence	H - 1.0 mrad
Size of Laserdot	adjustable
Operating Distance	50 m
Optics	glass lens AR coated
Laser technology	diode
Focus	adjustable

Electrical Parameters

Potential of Housing isolated
Power Supply LFNT-3

Mechanical Parameters

Size	Ø22x65 mm
Material	aluminium
Cable length	100 mm
Wire type	26AWG, 0,14mm ²
Output Aperture	5 mm
Weight	50.5 g

(*) Over the complete operating temperature range

Features



- Glas lenses anti reflex coated
- Operating Voltage 3 V DC
- Laser Class 3B
- Adjustable focus
- Compact size

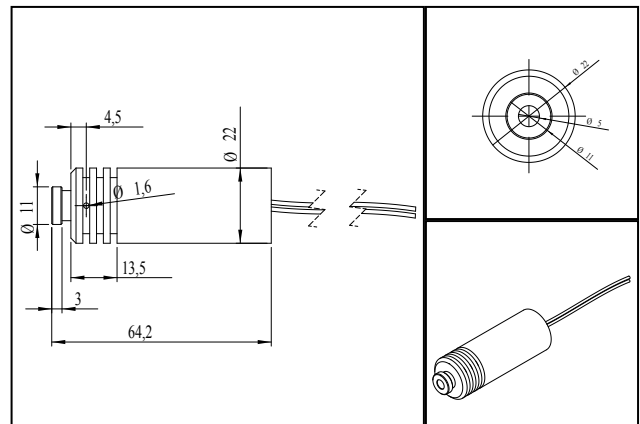
Picture



Cable color

Ground		black	GND
positive		red	2.7 - 3.3, typ 3 V DC

Drawing



safety label



Valid Revision

REV 0 | 17-DEC-2018