

Dot laser, infrared, 980 nm, 120 mW

DH980-120-3(22x65)
Order Number: 70100167

Main Parameters (*)	min	typ	max	Unit
Wavelength		980		nm
Optical Output Power		120		mW
Operating Voltage	2.7	3	3.3	V DC
Operating Current	150	300	500	mA
Operating Temperature	-20		50	°C
Storage Temperature	-40		80	°C

Main Data

Warranty 1 years

Technical Parameters

Lifetime > 5,000 h
RoHS yes

Optical Parameters

Beam Shape Dot
Laser Class 3B
Divergence H - 1.0 mrad
Size of Laserdot adjustable
Operating Distance 50 m
Optics glass lens AR coated
Laser technology diode
Focus adjustable

Electrical Parameters

Potential of Housing isolated

Mechanical Parameters

Size Ø22x65 mm
Material aluminium
Cable length 100 mm
Wire type Belden, Typ 1007, 26AWG
Output Aperture 5 mm
Housing Color black
Weight 54 g

(*) Over the complete operating temperature range

Features



- High Power
- Compact size
- Adjustable focus
- Operating Voltage 3 V DC
- Laser Class 3B

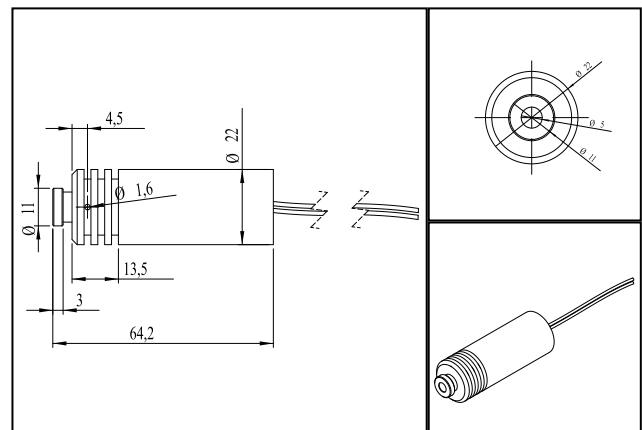
Picture



Cable color

Ground		black	GND
Positive		red	2.7 - 3.3, typ 3 V DC

Drawing



Safety Label



Valid Revision

6 | 17-DEC-2018