

## Dot laser, infrared, 808 nm, 200 mW

DH808-200-3(22x65)  
Order Number: 70102123

Main Parameters (*)	min	typ	max	Unit
Wavelength		808		nm
Optical Output Power		200		mW
Operating Voltage	2.7	3	3.3	V DC
Operating Current	175	350	525	mA
Operating Temperature	-20		50	°C
Storage Temperature	-40		80	°C

### Main Data

Warranty 1 years

### Technical Parameters

Lifetime >5000 h  
RoHS yes

### Optical Parameters

Beam Shape	Dot
Laser Class	3B
Divergence	H - 1.0 mrad
Size of Laserdot	adjustable
Operating Distance	50 m
Optics	glass lens AR coated
Laser technology	diode
Focus	adjustable

### Electrical Parameters

Potential of Housing isolated  
Power Supply LFNT-3

### Mechanical Parameters

Size	Ø22x65 mm
Material	aluminium
Cable length	100 mm
Wire type	26AWG, 0,14mm <sup>2</sup>
Output Aperture	5 mm
Weight	48 g

(\*) Over the complete operating temperature range

## Features



- Operating Voltage 3 V DC
- Laser Class 3B
- Compact size
- High Power
- Glas lenses anti reflex coated

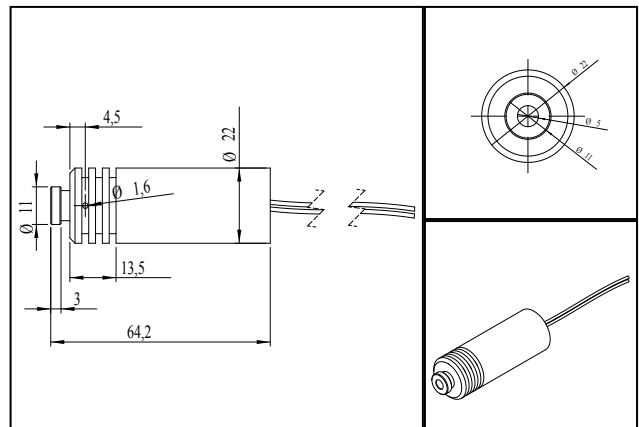
## Picture



## Cable color

Ground		black	GND
positive		red	2.7 - 3.3, typ 3 V DC

## Drawing



## Safety Label



## Valid Revision

REV 0 | 28-SEP-2017